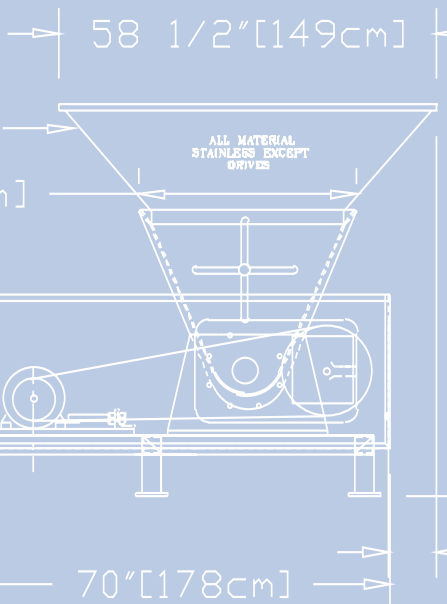
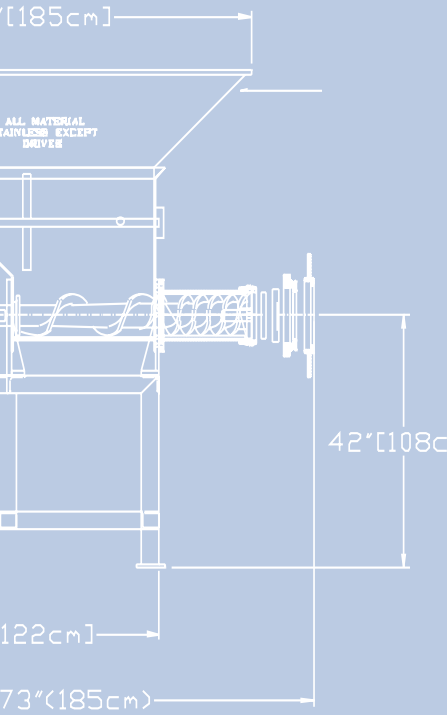


# MODEL 8 GRINDER SIDEMOUNT UNDERMOUNT

## Prince Model 8 Meat or Bone Grinders

GRINDER



**P**recision craftsmanship, cooler cutting and minimum temperature rise are only a few reasons the Model 8 grinder provides superior quality.

The Prince Grinder features greater strength and easier clean-up of the hopper. It is equipped with a spring-loaded knife holder containing self-seating and sharpening inserts, feed screws designed for fresh and tempered meat, reversible cutting plates and replaceable center bushings.

Another advantage provided by the grinder is the elimination of center pin breakage since knife holders are rotated by the drive lugs that are built into the feed screw.

To better accommodate our customers, the motor can be mounted underneath or on the side.

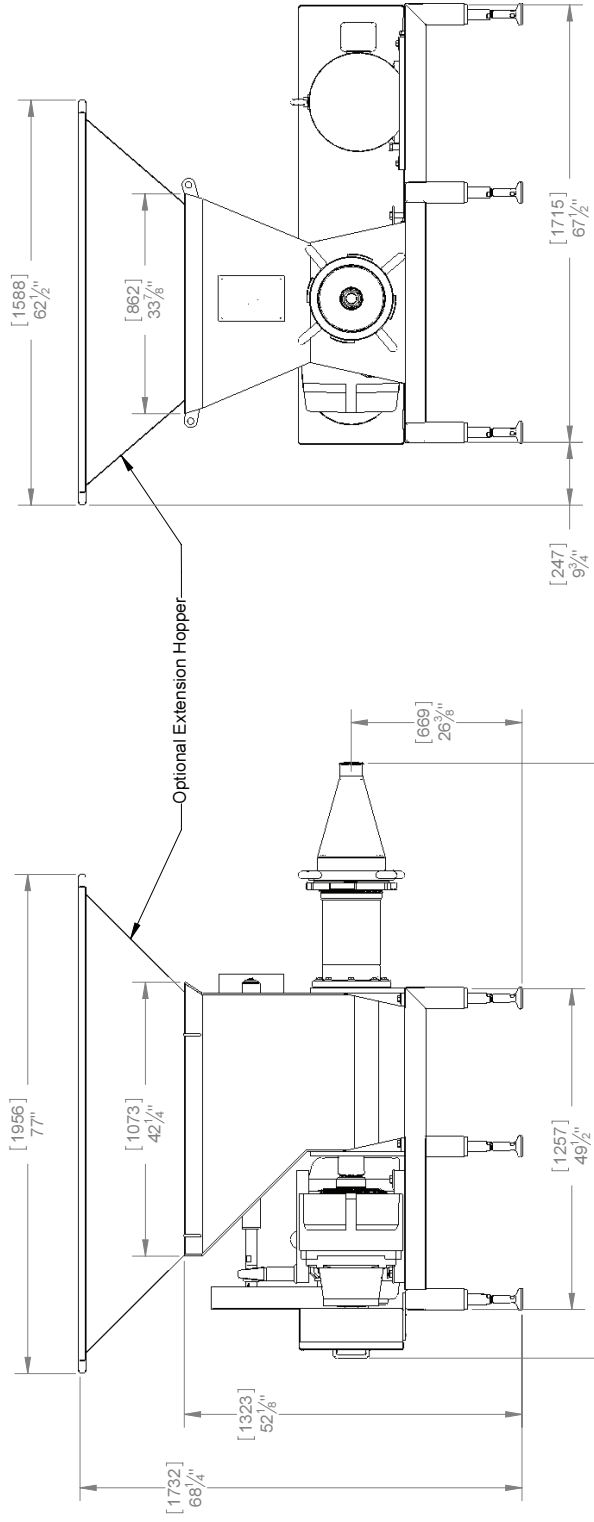
**Capacity Per Hour** - 30,000+ lbs. / 13,700+ kgs.

**Sidemount floor space** - 91" x 67" / 231cm x 170cm

**Horsepower** – 15-20



# Model 8 Grinder Sidemount



PRINCE INDUSTRIES, INC.  
 P.O. Box 290  
 Murrayville, GA 30564 USA  
 Phone: (770) 536-3679, Fax: (770) 535-2548  
 800-441-3303  
[princeindustriesinc.com](http://princeindustriesinc.com)



PRINCE  
 INDUSTRIES