

Address 6005 Benjamin Road, Tampa, FL 33634-5145
Telephone (813) 889-9500
Fax (813) 881-0840
E-mail safeline.sales@mt.com
www.mt.com/safelineus

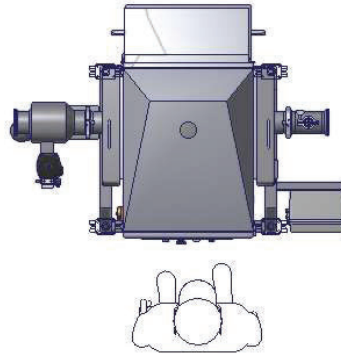
Preliminary Sales Drawing: *SUBJECT TO CHANGE

NOTES

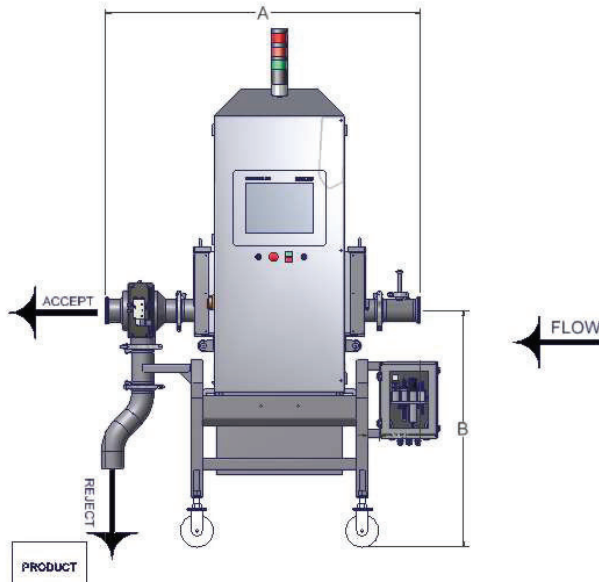
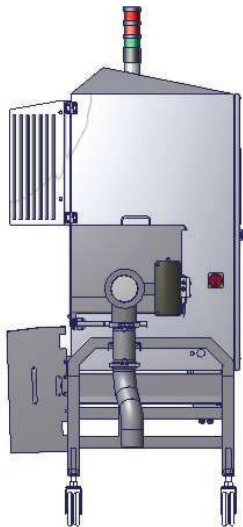
- A. Quoted Length is 51.20"
 - B. Quoted Height is 37"
 - C. Quoted Direction of Travel is Right To Left
 - D. Quoted Reject Orientation is To The Ground
- Manifold uses Q-Line Fittings as standard. Other fittings available upon request.

CUSTOMER SIGNATURE _____

Customer is required to confirm these details at the time of order placement.



C. DIRECTION OF TRAVEL SHOWN IS RIGHT TO LEFT



D. REJECT SHOWN TO THE GROUND

Quote Information

Quote	WL127362-18
Application	01 - PipeChek Plus
Date	February 8, 2018

METTLER TOLEDO