

# BRIDGE

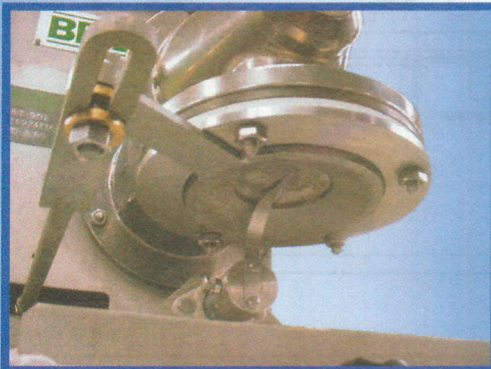
MACHINE COMPANY, INC.

The Bridge Titan Meat Ball and Croquette Formers are designed to form a variety of products, including meat, dough, potatoes and seafood. With just two easy adjustments an operator can change the diameter and shape of the product being extruded to ball and croquette shapes. The BT-001 is designed to form "traditional-home made" style meatballs and croquettes without costly dies or forming plates.

The Model BT-001 can produce up to 6,000 portions per hour with portion sizes of 3 grams to 150 grams. The machine boast rugged stainless steel.

Reduce your Maintenance costs and increase your production today with the BT-001. Contact Bridge Machine Company today to schedule a demonstration!

## Titan BT001



# BRIDGE

MACHINE COMPANY, INC.

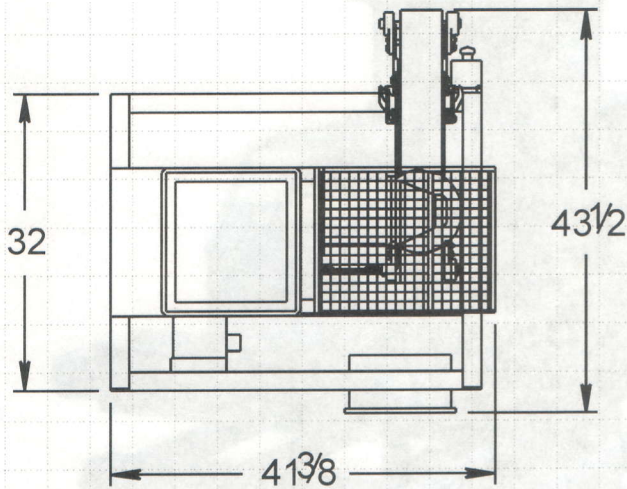
Write Us For Information:  
PO Box 45  
Palmyra, New Jersey 08065  
856.829.1800 Fax 856.786.8147  
[www.bridgeonline.com](http://www.bridgeonline.com)

BT001-0001

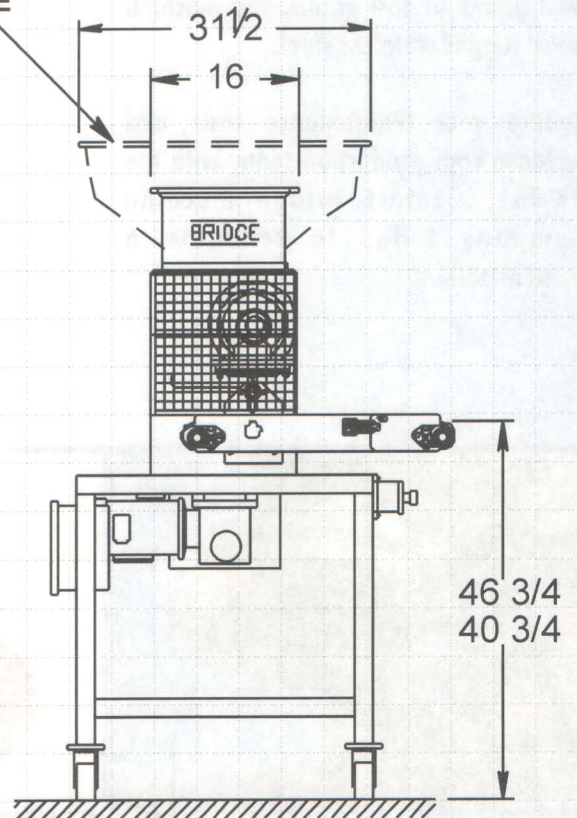
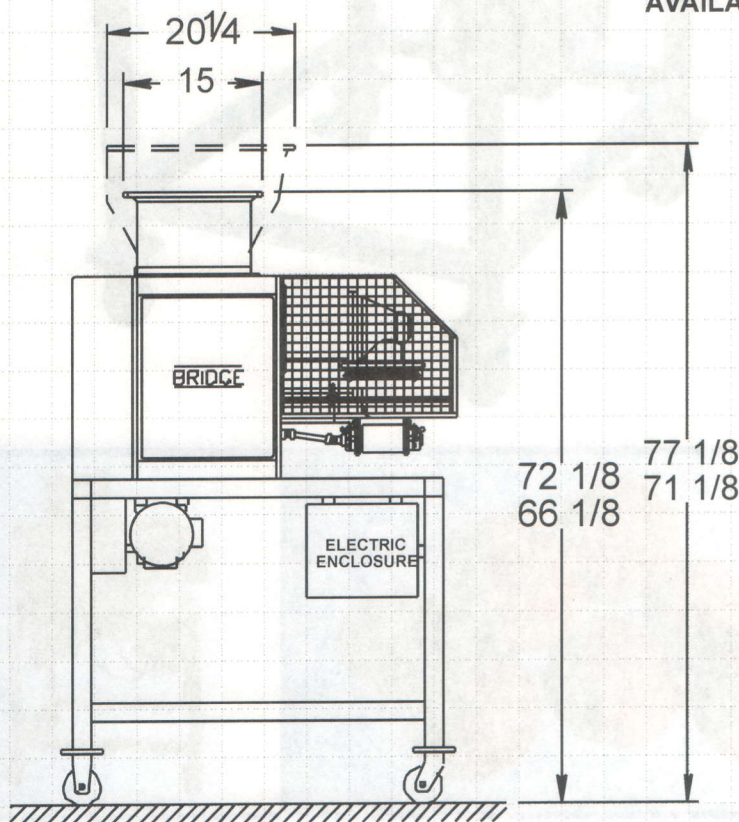
# BRIDGE

MACHINE COMPANY, INC.

# Titan BT001



OPTIONAL LARGE  
CAPACITY HOPPER  
AVAILABLE



# BRIDGE

MACHINE COMPANY, INC.

Write Us For Information:

PO Box 45

Palmyra, New Jersey 08065

856.829.1800 Fax 856.786.8147

[www.bridgeonline.com](http://www.bridgeonline.com)