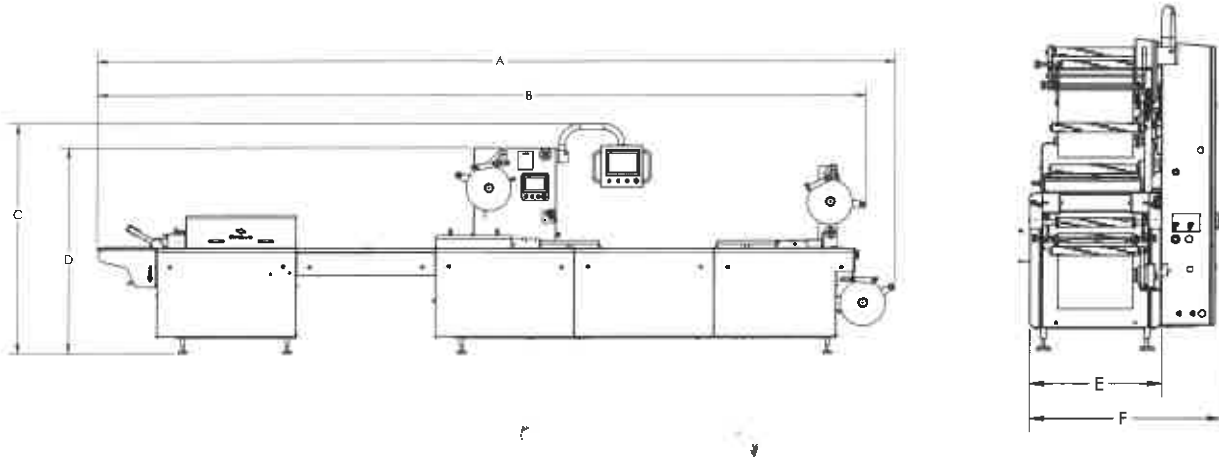


Specifications



Length (A): (W/ Horizontal Film Unwind)	6756mm (266 in.)
Length (B): (W/ Vertical Film Unwind)	6520mm (257 in.)
Height (C): (W/ Pendant)	1930mm-1981mm (76 in.- 78 in.)
Height (D): (W/O Pendant)	1727mm-1777mm (68 in.- 70 in.)
Width (E): (Frame Width)	744mm (29 in.)
Width (F): (Machine Width)	1087mm (43 in.)
Maximum Web Width:	420mm (16.54 in.)
Air Connection:	110 PSI @ 15 CFM of DRY AIR
Electrical Connection:	See Power Requirements in Section 2
Water Flow Requirements	1.5 liter/min flow
Water Temperature Requirement:	< 30°C
Gross Weight including skid and crate:	2177kg (4800 lbs.)