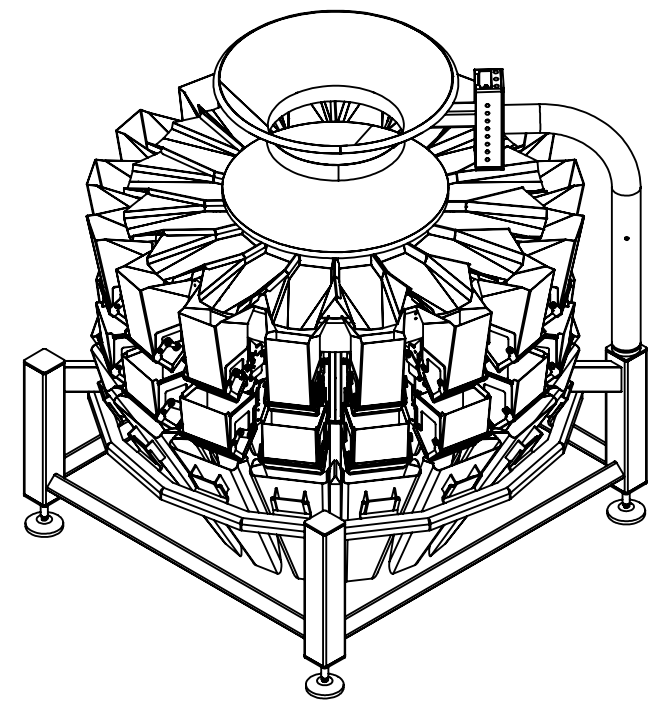
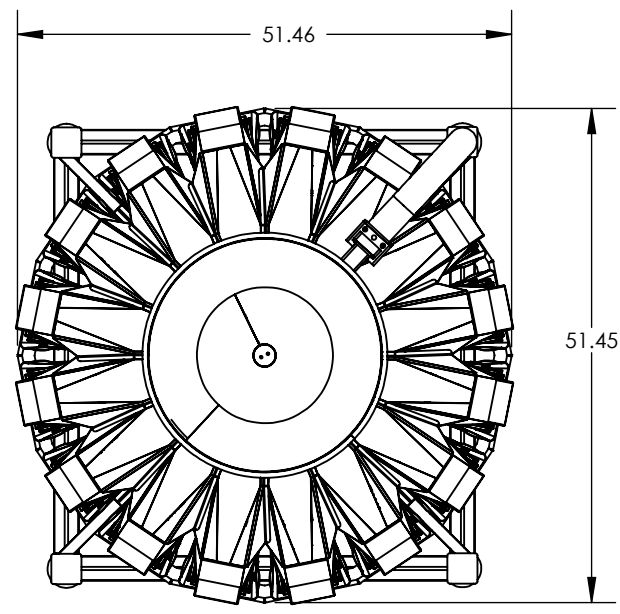
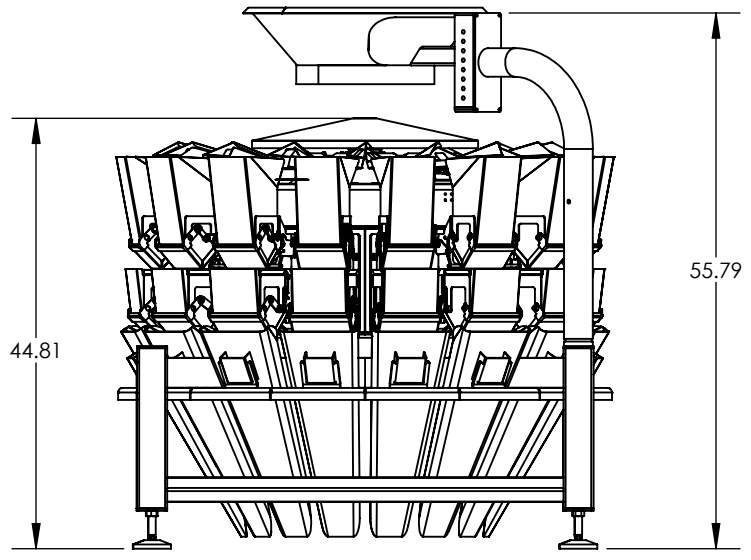
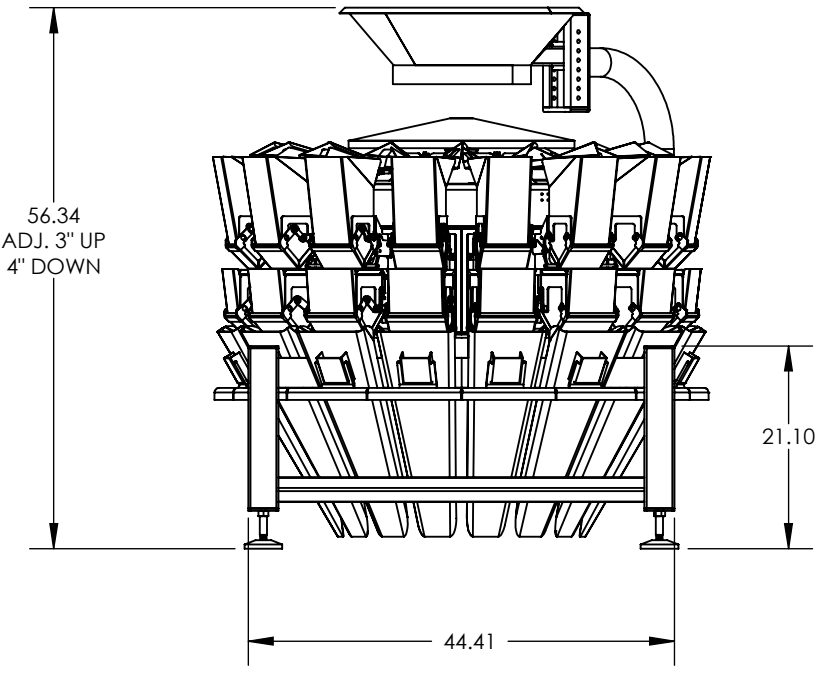


8 7 6 5 4 3 2 1

THE FOLLOWING IS A LAYOUT OF THE SYSTEM WEIGHPACK SYSTEMS, INC. IS BUILDING FOR THE CLIENT. THE CLIENT IS TO REVIEW THIS LAYOUT AND ADVISE WEIGHPACK SYSTEMS, INC. WITHIN THE NEXT 3 DAYS IF ANY CHANGES ARE REQUIRED. IF WEIGHPACK SYSTEMS, INC. DOES NOT RECEIVE ANY NOTICE THIS LAYOUT WILL BE RELEASED FOR PRODUCTION. ANY CHANGES REQUIRED THEREAFTER WILL DELAY DELIVERY AND WILL INCUR ADDITIONAL COST AT CLIENT'S EXPENSE.




3-D VIEW  
ENG REF ONLY



**PRIMOWEIGHER 360 16H MB**

NOTE: DIMENSIONS ARE APPROXIMATE AND SUBJECT TO FINAL CONSTRUCTION ±2"

NOT FOR FABRICATION

 <p>www.weighpack.com</p>			<small>PROPRIETARY PROPERTY</small> <small>THIS DRAWING AND INFORMATION CONTAINED THEREON IS EXCLUSIVE PROPERTY OF WEIGHPACK SYSTEMS, INC. AND IS NOT TO BE USED IN ANY WAY WITHOUT THE EXPRESS WRITTEN CONSENT OF WEIGHPACK SYSTEMS, INC. OWNER RESERVES ALL RIGHTS TO RECALL DRAWING UPON DEMAND AND TO COLLECT DAMAGES FOR MISUSE OF ITS PROPRIETARY INFORMATION.</small>			<small>CLIENT:</small> PRIMOCOMBI 16H 2.5L	
			<small>DRAWN:</small> S.NYAMENKUM	<small>DATE DRAWN:</small> 2013-02-08	<small>WEIGHT:</small> 308.97 (LB)	<small>JOB:</small> DWG. NO.	<small>REV</small> 0
<small>DESIGNED BY:</small> M.EBESH	<small>DESIGNED DATE:</small> 01-08-2013	<small>SCALE:</small> 1:20 <small>SHEET</small> 1 OF 1	PRIMO-360-16H-MB				

8 7 6 5 4 3 2 1