



WEILER® 878 GRINDER FRESH. FROZEN. PROVEN PERFORMER.



Designed for products fresh and frozen, the mid-sized Weiler® 878 Grinder promises superior productivity, easy maintenance and unmatched durability with a competitive edge.

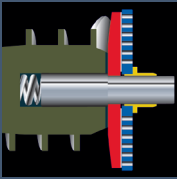
Exclusive innovations that deliver excellent throughput and a premium end product make the Weiler® 878 Grinder a value others simply can't match. And proven features like high thrust, heavy-duty gearboxes and unique cutting parts configuration are your assurance of minimal downtime and lower maintenance costs in a grinder that's Weiler® tough. Worldwide 24/7 technical support from Provisur® makes this value unmatched.



APPLICATION

- Coarse grind
- Finish grind
- Fresh
- Pre-broken frozen
- Reduction for mechanical separators
- Rendering
- Tempered and frozen block

Maximum block dimensions:
5" x 14" x 18"
(125mm x 350mm x 450mm)



SPRING-LOADED KNIFEHOLDERS

Featuring self-cleaning blade inserts for cleaner, cooler cutting and improved product quality.

RAW MATERIAL

- Beef, Pork, Poultry and Veal
- Cheese
- Fat
- Fruit
- Mutton
- Poultry bone
- Poultry skin
- Seafood
- Vegetables
- Other (consult factory)



FEEDSCREW DRIVE LUGS

Built into the feed screw for greater drive strength.

Grinding capacity: up to 24,000 lbs/hr (10,887 kg/hr)*

*Actual grind rate will depend on application specifications, including, but not limited to, reduction size, raw material and raw material temperature.



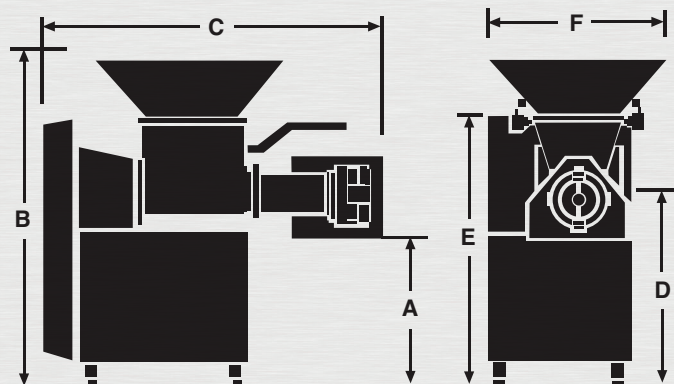
Plate guard and safety labels removed for clarity on all images. All guards and labels must be in place while operating.

WEILER® 878 GRINDER SPECIFICATIONS

DIMENSIONS inches (mm)					
A	B	C	D	E	F
33 in. (838 mm)	80 in. (2032 mm)	86 in. (2185 mm)	44 in. (1118 mm)	60 in. (1524 mm)	49 in. (1245 mm)

TECHNICAL

- Up to 50 hp (37 kw) or 75 hp (55 kw)
- 7 in. (180 mm) diameter feedscrew
- 8-5/8 in. (219 mm) diameter plate
- 1780-6HB or 1398-5HB heavy duty gearbox
- 3-point suspension
- Approximate shipping weight: 2,350 lbs (1,066 kg)



Note: Certified drawings are available for installation purposes.

WE PUT IT ALL ON THE LINE.



Provisur® Technologies, Inc.

1116 East Main Street, Whitewater, Wisconsin 53190 USA

USA: 262-473-5254 800-558-9507 weilerinfo@provisur.com Europe: +44 (0) 1454 320900 www.weilerinc.com www.provisur.com

GRINDERS - MIXER/GRINDERS - MIXERS - MATERIAL HANDLING - DOMINATOR® TECHNOLOGY - TOTAL SYSTEMS

©2011 Provisur® Technologies, Inc.