



HI-700

High speed dynamic weigh price labeler

The dynamic weighing and high speed label operation allows the HI-700 to weigh and label packs up to 120 per minute.



Specifications

Capacity.....	3kg/1g; 6kg/2g; 12kg/2g *
Display.....	15" XGA a-Si TFT LCD display 1024 x 768 resolution 8-bit colour (16.7M colours) LED backlight 4 wire resistive touch screen interface
PC.....	IP65 enclosure Intel Braswell Series Processor N3710 1.6GHz 4GB DDR3L RAM 120GB NVMe (SSD) Intel HD Graphics
HDD Capacity.....	20GB
Power.....	220.240V (115V option) 50/60HZ AC single phase
Pack Speed.....	Up to 120ppm (3Kg)** up to 80ppm (6Kg/12Kg/Long scale)**
Pack Size STD length scale.....	80-300mm (L) 40-250mm (W) 180mm maximum (H)
Pack Size Long scale.....	80-475mm (L) 40-250mm (W) 180mm maximum (H)
Label Size.....	Width 30-120mm
Non-cassette type	Height 28-150mm
Label Size.....	Width 40-80mm
Cassette type	Height 28-80mm
Label Roll.....	Roll diameter 300mm
Non-cassette type	Core diameter 76mm
Label Roll.....	Roll diameter 190mm
Cassette type	Core diameter 76mm
Print Method.....	300dpi 12D0T
Non-cassette type	
Print Method.....	200dpi 8D0T
Cassette type	
Application System.....	Touch

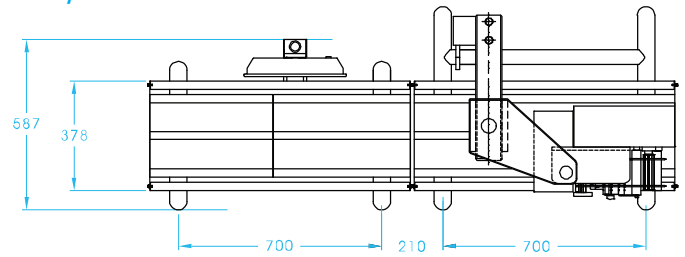
* The combination of maximum size of each dimensions cannot be used.
The size of the package that can be wrapped also depends on the film to use.

** Processing capabilities depending on size /weight of production and label size.

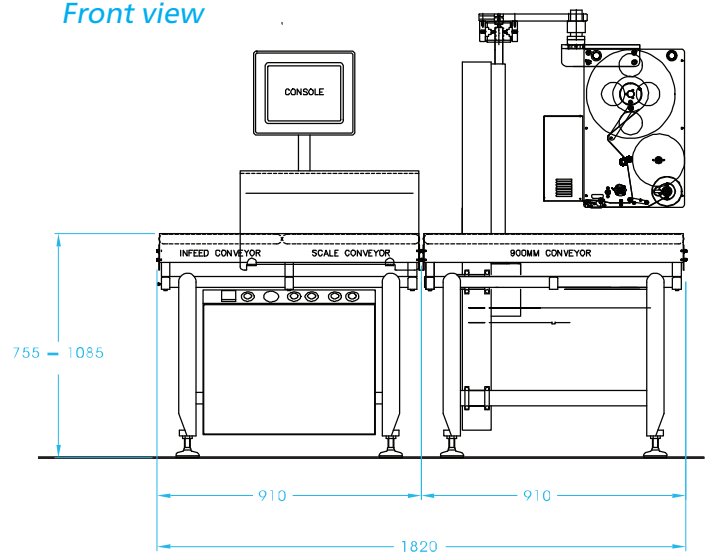
Dimensions (in mm)

HI-700 single

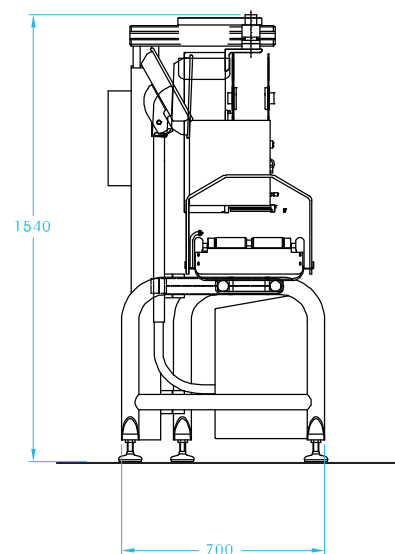
Top view



Front view



Side view



As part of our policy of continued product development, DIGI reserve the right to alter the specification and design without prior notice- E&OE.

DIGI EUROPE Ltd.

DIGI House, Rookwood Way,
Haverhill CB9 8DG
Tel: +44 01440 712175
Email: info@uk.digi-group.com
Web: www.digisystem.com/uk/

DISCLAIMER: The contents and information contained in this brochure are for informational purposes, therefore they should not be considered as exact or complete by any subject (person or company). DIGI Europe Ltd., its corporate bodies, managers, officials, employees, agents and consultants decline any kind of liability (including, without limitation, liability arising from errors or negligence) for any loss, damage, cost or direct or indirect burden that may have been suffered due to the use or reliance on what is contained or omitted in this brochure. DIGI Europe Ltd. reserves the right to modify the specifications of its products without any prior notice. For further technical or economic information, please contact the sales office of DIGI Europe Ltd.



HI-700/122021