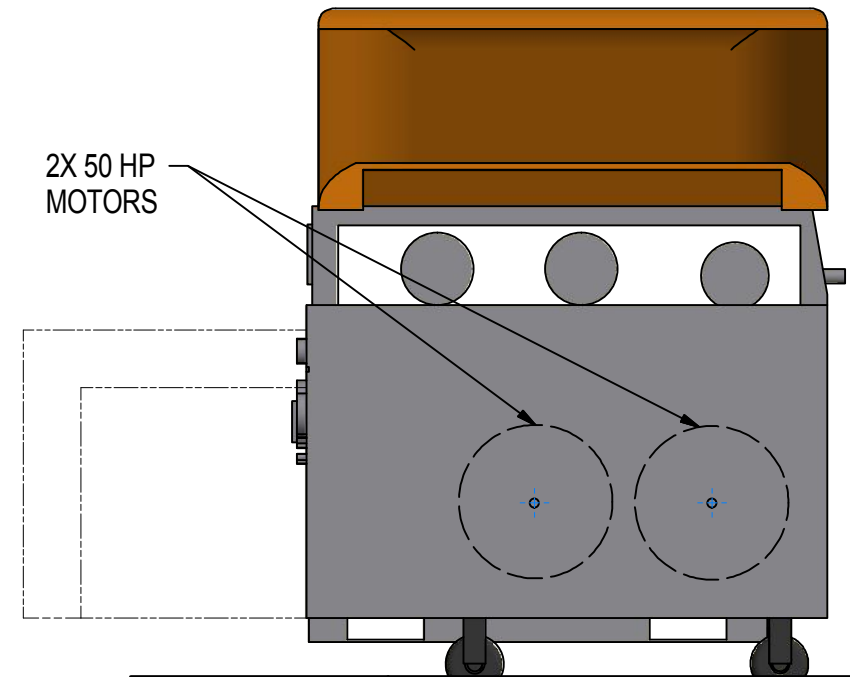
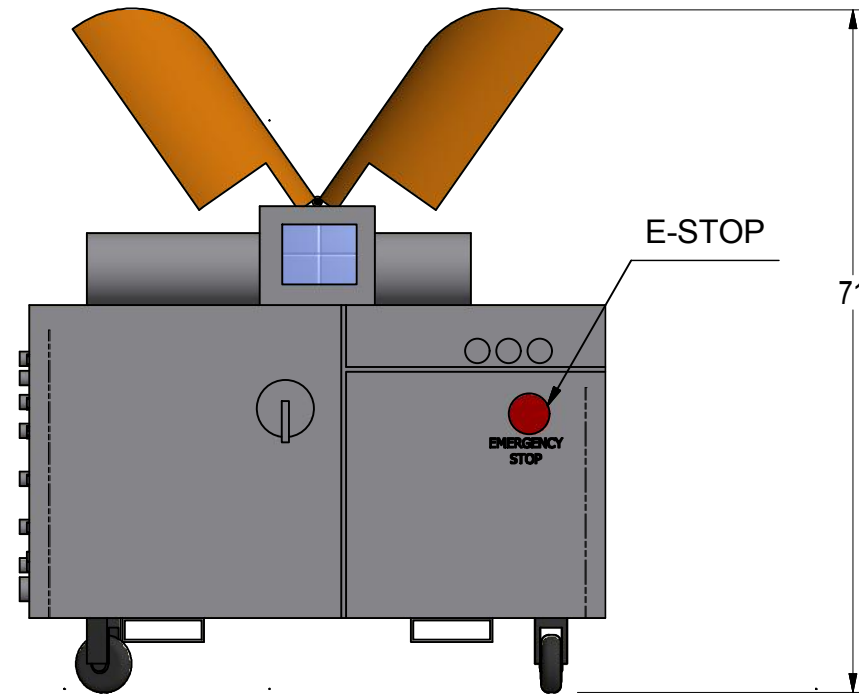
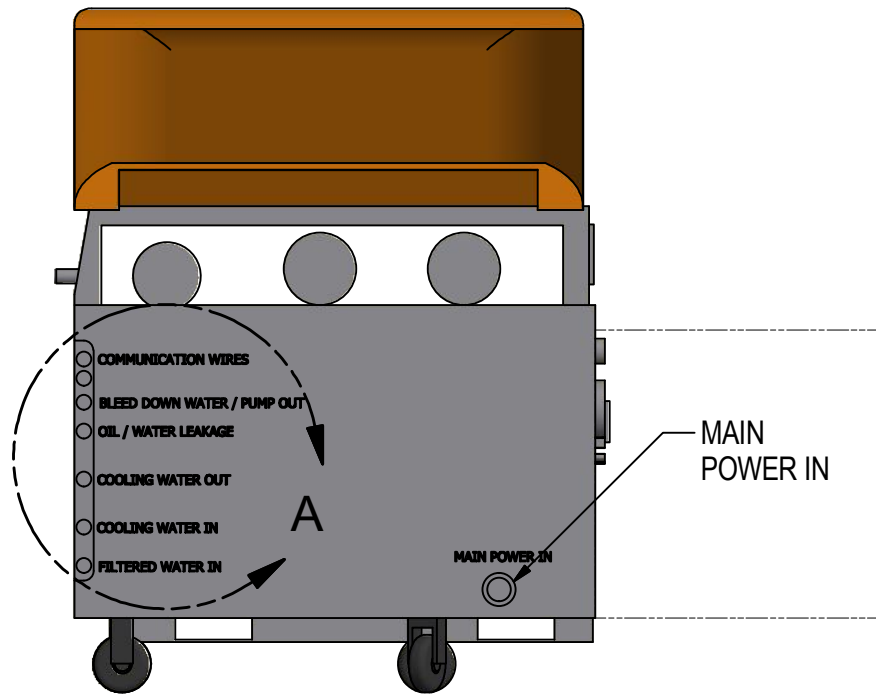
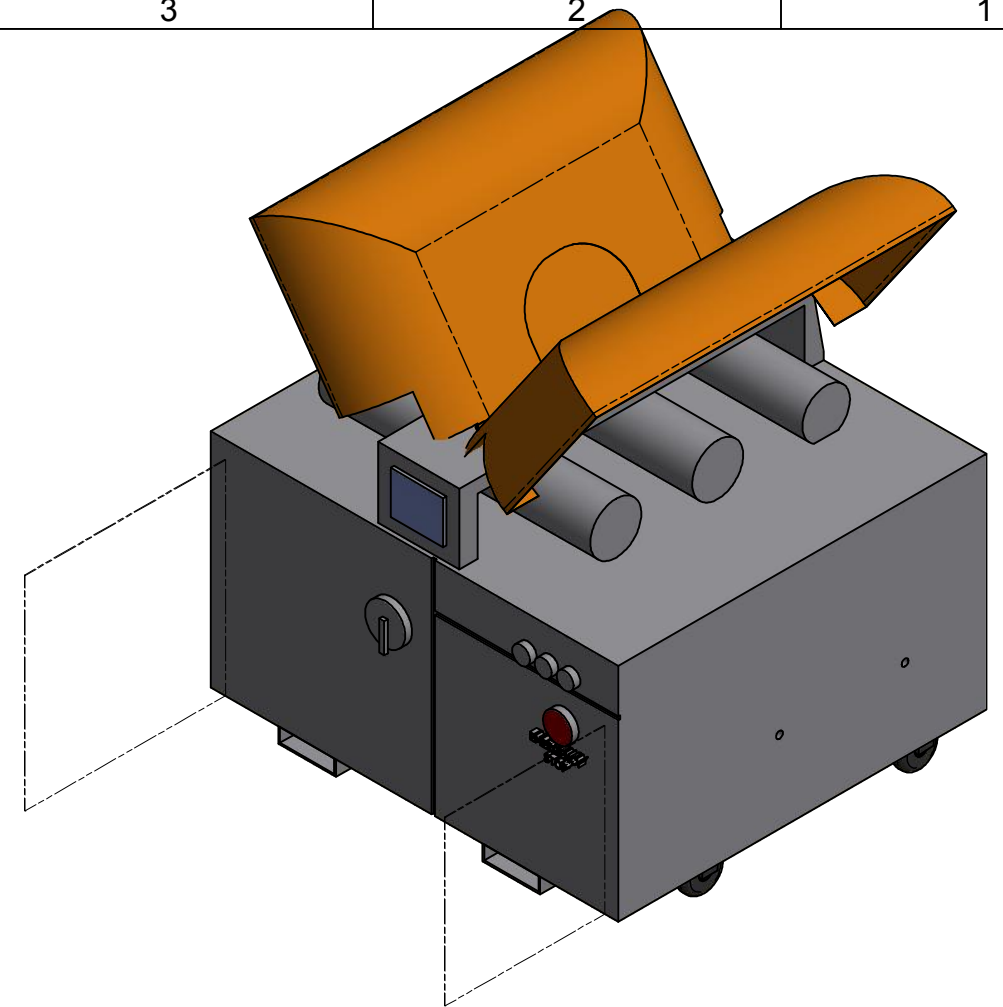
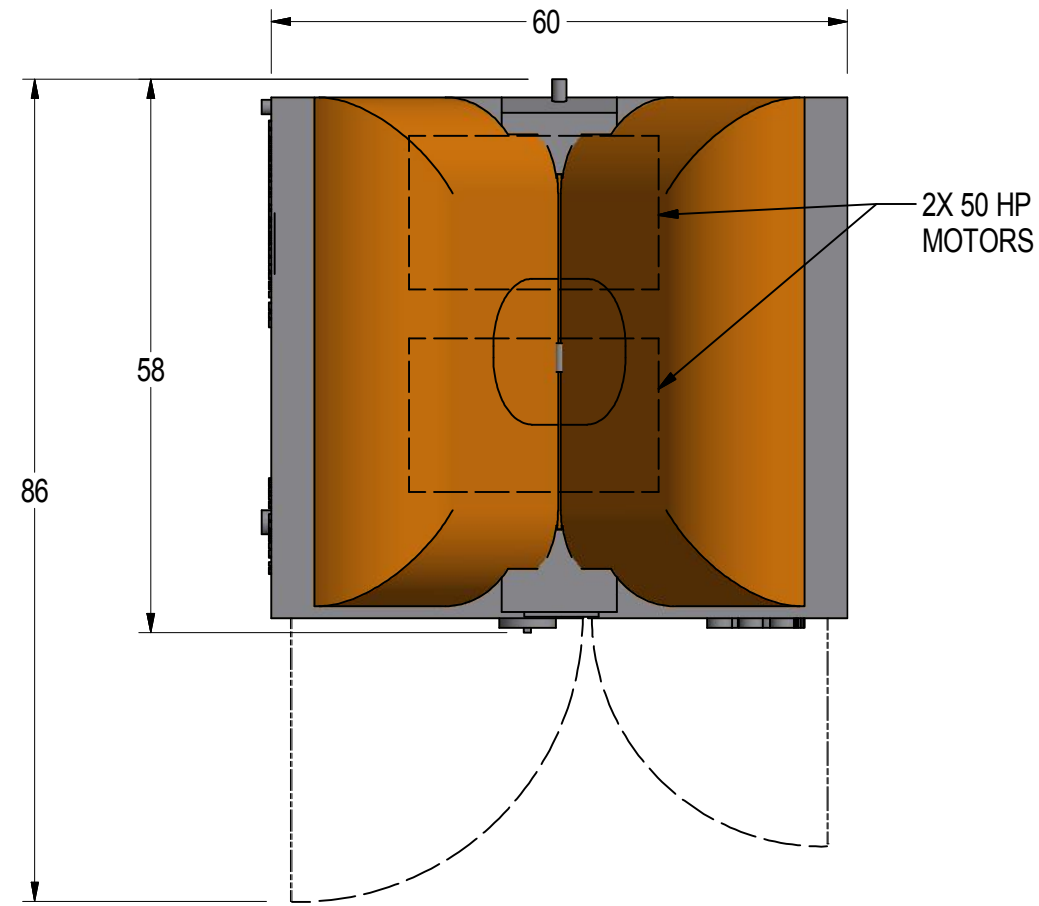


DETAIL A  
SCALE 1 / 10



NOTES:  
UNLESS OTHERWISE SPECIFIED:

CONFIDENTIAL AND PROPRIETARY - PROPERTY OF JBT CORPORATION AND/OR ITS AFFILIATES ("JBT"). Information in this document is confidential and proprietary and may not be reproduced in any form, distributed or divulged without the written permission of JBT.	UNLESS OTHERWISE SPECIFIED DIMENSIONS IN INCHES FRACTIONAL:    X   ± 1/32 XX   ± .05 .XX   ± .01 XXX   ± .005 ANGULAR:        ± 1° FINISH:           32 RMS BREAK SHARP EDGES   0.02-0.10					
	15304 NE 95TH ST. REDMOND, WA 98052 PH: (425) 883-1101 FAX: (425) 882-2052					
	DRAWN: RAS 8/2/2017 CHECKED: -- ENGINEER: --	94i-D 100 hp HYPERJET	SIZE B	DWG NO -	REV	SHEET 1 OF 1