

WEIGHING AND LABELLING SYSTEMS

for industrial applications.



ESPERA PRODUCT OVERVIEW

Full modularity. Wide range of applications.

OUR PRODUCTS

Product labelling and inspection technology at its best combined with a high standard of quality assurance is the key technology of ESPERA. The full product portfolio is designed for a wide range of applications in food industry and logistics. All systems guarantee a high performance level and maximum stability.

TABLE OF CONTENT

Fully automatic weighing and labelling systems	04 – 08
Manual weighing and labelling systems	09
Print and apply systems	10 – 11
Inspection systems	12 – 13
Sorting systems	14 – 15
Labelling systems	16 – 17
ESPERA Software solutions	18 – 19
ESPERA labels	20 – 21
ESPERA service	22 – 23



FULLY AUTOMATIC WEIGHING AND LABELLING SYSTEMS **ES 7000**

The fully automatic weighing and labelling systems of the ES 7000 series are perfect fit for all production requirements thanks to its modular and flexible design. Beside a user-friendly design this series convinces by an outstanding speed of up to 120 packs / minute and integrated quality assurance tools, such as the automatic label recognition (ALR) function to control if the inserted label roll fits with the product that is getting labelled.

Highlights

- Hygienic stainless-steel design
- Automatic printer square positioning
- Automatic product guides
- Automatic package height compensation up to 200 mm
- Automatic label rotation
- Modularity (up to 6 printer top / bottom)
- Unique fast change of label rolls

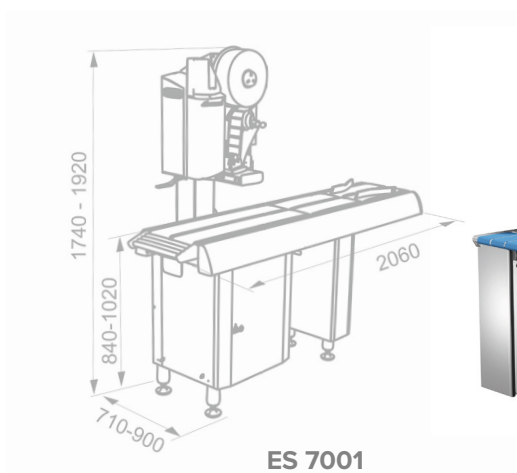
- Label design software ESMS included
- Network integration (system independent)
- Online remote service

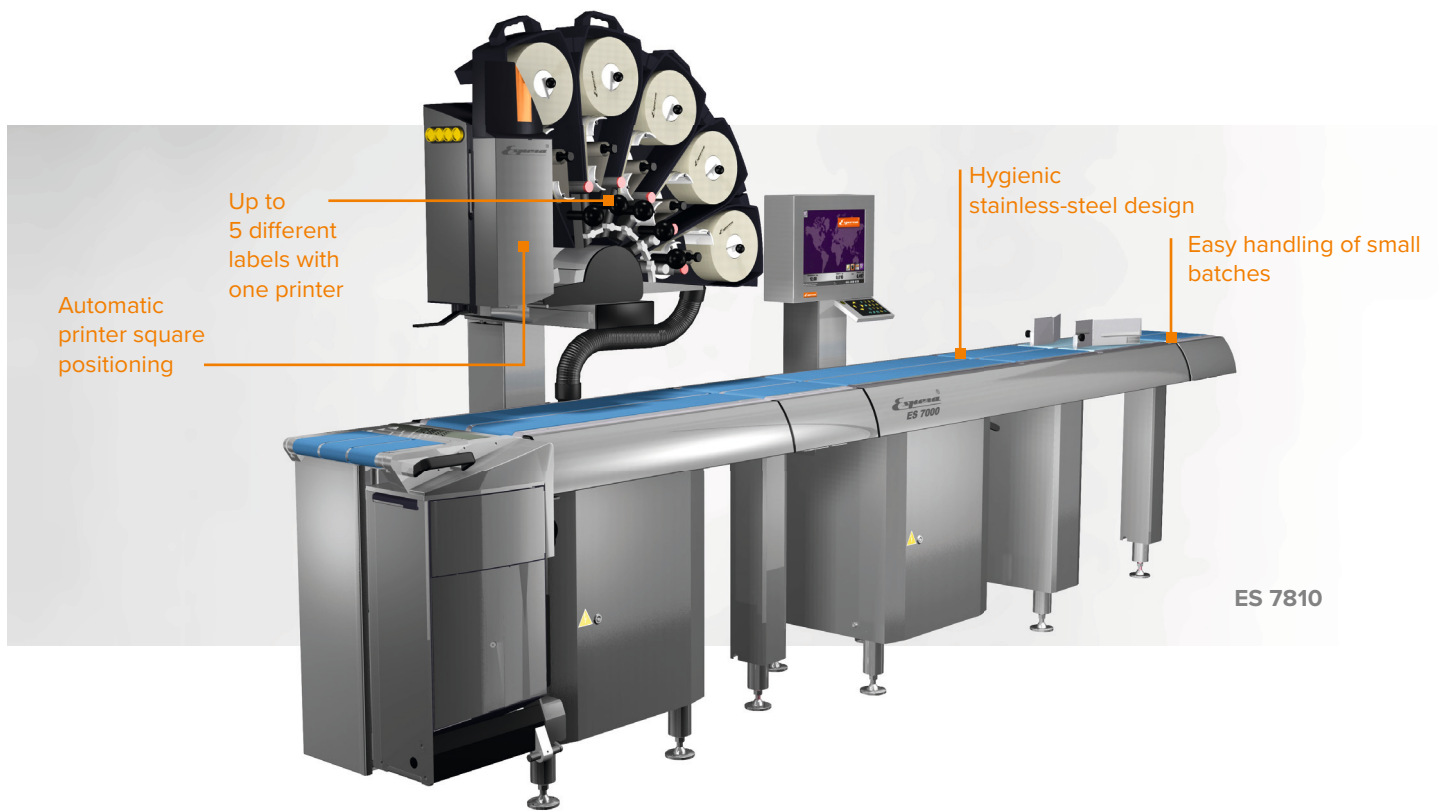
Options

- Full belts
- Infeed conveyour
- Large weighing belt for long products
- C wrap labelling unit

TECHNICAL DATA

Weight ranges	3 / 6 / 8 kg
Scale increment	1 / 2 / 5 g
Scale type	Dynamic
Throughput	Up to 120 pack. / min.
Print speed	300 mm / sec.
Print width	80 / 104 mm
Package size max. with centering unit (L x W x H)	370 x 280 x 200 mm
Package size max. without centering unit (L x W x H)	370 x 360 x 200 mm
Package length max. with long pack unit (L)	Up to 750 mm
Label size max. printer top (L x W)	200 x 110 mm
Label size max. printer bottom (L x W)	130 x 110 mm
Label size min. printer top (L x W)	37 x 37 mm
Label size max. printer bottom (L x W)	37 x 52 mm
Label size max. with label rotation (L x W)	110 x 110 mm
Thermal head	8 dot / 12 dot
Label roll core diameter	76 mm
Label roll outer diameter	285 mm
Label winding	Inside
Interfaces	RS 232, USB, Ethernet
Network capability	Yes
Storage medium	SSD
Mains voltage	190 V - 255 V / 50 - 60 Hz
Operating temperature	- 10 °C to + 40 °C
Thermal transfer operation	Yes
Protection class	IPX4
Total printer connection	Yes
Compressed air	No





FULLY AUTOMATIC MULTI ROLLER WEIGHING AND LABELLING SYSTEM ES 7800

Up to 5 different labels can be managed with one system. With this solution individual labels can be handled within a chaotic product flow. The recognition of different products and the application of the corresponding label can be handled via weight ranges, tray color, tray geometry or by an online data flow.

Highlights

- Up to 5 different labels with one printer
- Easy handling of small or chaotic batches
- Hygienic stainless-steel design
- Automatic printer square positioning
- Automatic product guides
- Automatic label rotation
- Unique fast change of label rolls
- Label design software ESMS included
- Network integration (system independent)
- Online remote service

Options

- Extension to 15 labels possible
- Infeed conveyour

Weight ranges	3 / 6 / 8 kg
Scale increment	1 / 2 / 5 g
Scale type	Dynamic
Throughput	Up to 120 pack. / min.
Print speed	240 mm / sec.
Print width	80 / 104 mm
Package size max. with centering unit (L x W x H)	370 x 280 x 200 mm
Package size max. without centering unit (L x W x H)	370 x 360 x 200 mm
Package length max. with long pack mode (L)	Up to 750 mm
Label size max. printer top (L x W)	200 x 110 mm
Label size max. printer bottom (L x W x H)	130 x 110 mm
Label size min. printer top (L x W x H)	37 x 37 mm
Label size min. printer bottom (L x W)	37 x 52 mm
Label size max. with label rotation (L x W)	110 x 110 mm
Thermal head	8 dot / 12 dot
Label roll core diameter	76 mm
Label roll outer diameter	210 mm
Label winding	Inside
Interfaces	RS 232, USB, Ethernet
Network capability	Yes
Storage medium	SSD
Mains voltage	190 V - 255 V / 50 - 60 Hz
Operating temperature	- 10 °C bis + 40 °C
Thermal transfer operation	No
Protection class	IPX4
Total printer connection	Yes
Compressed air	6 BAR

Printer rotation
for individual label
placement

ES 6000

ES 6100

Weight ranges	25 / 80 kg*
Scale increment	5 / 10 g with 25 kg version 5 / 10 / 20 / 50 g with 80 kg version
Scale type	Start-stop
Print speed	250 mm / sec.
Print width	80 mm / 104 mm
Package size max. (L x W x H)	550 x 500 x 480 mm
Package size max. with infeed belt (L x W x H)	550 x 400 x 480 mm
Package length max. with long pack mode (L)	750 mm ES 6000 700 mm ES 6100
Label size max. (L x W)	170 x 110 mm
Label size min. (L x W)	30 x 37 mm
Thermal head	8 dot / 12 dot
Label roll core diameter	76 mm
Label roll outer diameter	210 mm
Label winding	Inside
Interfaces	RS 232, USB, Ethernet
Network capability	Yes
Storage medium	SSD
Mains voltage	190 V - 255 V / 50 - 60 Hz
Operating temperature	- 10 °C to + 40 °C
Thermal transfer operation	Yes
Protection class	IPX4
Total printer connection	Yes
Compressed air	No

* with appropriate safety precautions

FULLY AUTOMATIC WEIGHING AND LABELLING SYSTEMS ES 6000 FOR HEAVY PRODUCTS

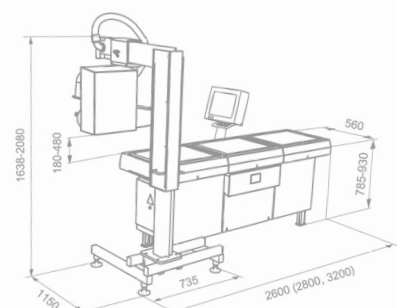
Independent if it is a block of cheese or a full ham product. With this machine solution heavy products up to 80 kg can be weighed and labelled easily and fully flexible with a speed up to 40 packs per minute. Flexible means, that the products can be labelled at fully individual positions, due to the rotatable printing unit. Either if the label has to be applied on the top or at any side of the package. Furthermore, the system is modular extendable into a 2 printer system to apply two labels on one package fully individual.

Highlights

- Hygienic stainless-steel design
- Labelling from all package sides
- Label rotation
- Network integration (system independent)
- Label design software ESMS included
- Online remote service

Options

- Compact, space saving one belt version (ES 6100)





FULLY AUTOMATIC, COMPACT WEIGHING AND LABELLING SYSTEMS ES 5000

The compact and modular solution ES 5000 series is made for those who request space savings and medium speed requirements up to 65 packs per minute. Printer positioning and package guides are adjustable manually. The system can be fully modular extended with additional top or bottom printers.

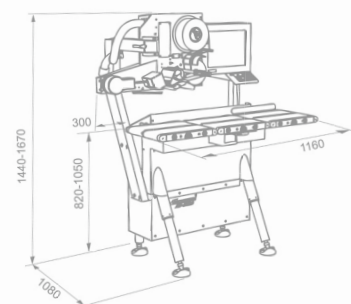
Highlights

- Hygienic stainless-steel design
- Compact & space saving design
- Automatic package height compensation up to 160 mm
- Modularity (up to 3 printer top / bottom)
- Label design software ESMS included
- Network integration (system independent)
- Online remote service

Options

- Applicator for long labels
- Infeed conveyour

Weight ranges	3 / 6 kg
Scale increment	1 / 2 g
Scale type	Start-stop
Throughput	65 pack. / min.
Print speed	250 mm / sec.
Print width	80 mm / 104 mm
Package size max. (L x W x H)	300 x 300 x 160 mm
Package size max. with long pack mode (L)	380 mm
Label size max. printer top (L x W)	170 x 110 mm
Label size max. printer bottom (L x W)	150 x 110 mm
Label size min. (L x W)	30 x 37 mm
Thermal head	8 dot / 12 dot
Label roll core diameter	76 mm
Label roll outer diameter	210 mm
Label winding	Inside
Interfaces	RS 232, USB, Ethernet
Network capability	Yes
Storage medium	SSD
Mains voltage	180 V - 255 V / 50 - 60 Hz
Operating temperature	- 10 °C to + 40 °C
Protection class	IPX4
Thermal transfer operation	Yes
Total printer connection	Yes
Compressed air	No



Label design software ESMS included

Hygienic stainless-steel design

Label design software ESMS included



ES 3012

ES 2012

	ES 3000	ES 2000
Weight ranges ES 3012 / ES 2012	6 / 12 kg	6 / 12 kg
Weight ranges ES 3015 / ES 2015	3 / 6 / 15 kg	3 / 6 / 15 kg
Weight ranges ES 3060 / ES 2060	15 / 30 / 60 kg	15 / 30 / 60 kg
Scale increment ES 3012	2 / 5 g Multi range scale	2 / 5 g Multi range scale
Scale increment ES 3015	1 / 2 / 5 g Multi interval scale	1 / 2 / 5 g Multi interval scale
Scale increment ES 3060	5 / 10 / 20 g Multi interval scale	5 / 10 / 20 g Multi interval scale
Scale type	Static	Static
Print speed	100 mm / sec.	120 mm / sec.
Print width	80 mm / 104 mm	104 mm
Label size max. (L x W)	480 x 110 mm	2195 x 118 mm
Label size min. (L x W)	15 x 22 mm	13 x 25 mm
Thermal head	8 dot / 12 dot	12 dot
Label roll core diameter	76 mm	38 - 76 mm
Label roll outer diameter	210 mm	165 - 203 mm
Label winding	Inside	Inside / outside
Interfaces	RS 232, USB, Ethernet	RS 232, USB, Ethernet
Network capability	Yes	Yes
Storage medium	SSD	SSD
Mains voltage	190 V - 240 V / 50 - 60 Hz	100 V - 240 V / 50 - 60 Hz
Operating temperature	- 10 °C to + 40 °C	+ 5 °C to + 40 °C
Thermal transfer operation	No	Yes
Protection class	IP20	IP20
Total printer connection	Yes	No
Multi printer mode	Yes	No
Scale plate dimension ES 3012 / ES 2012 (L x W)	309 x 325 mm	309 x 325 mm
Scale plate dimension ES 3015 / ES 2015 (L x W)	235 x 330 mm	235 x 330 mm
Scale plate dimension ES 3060 / ES 2060 (L x W)	490 x 540 mm	490 x 540 mm

MANUAL WEIGHING AND LABELLING SYSTEMS ES 2000 / ES 3000

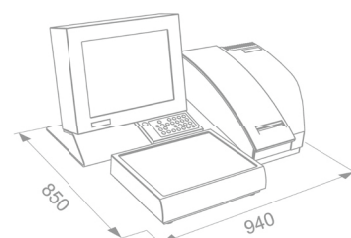
The weighing and labelling systems of the ES 2000 / ES 3000 series are specially designed for industrial applications. In combination with the high-end industrial scales, they meet all requirements for manual weighing and labelling processes.

Highlights ES 3000

- Hygienic stainless-steel design
- Huge label roll diameter up to 210 mm
- Ergonomic label roll exchange
- Network integration (system independent)
- Online remote service
- Label design software ESMS included

Highlights ES 2000

- Robust design
- Huge label roll diameter up to 203 mm
- Label design software ESMS included
- Network integration (system independent)
- Online remote service





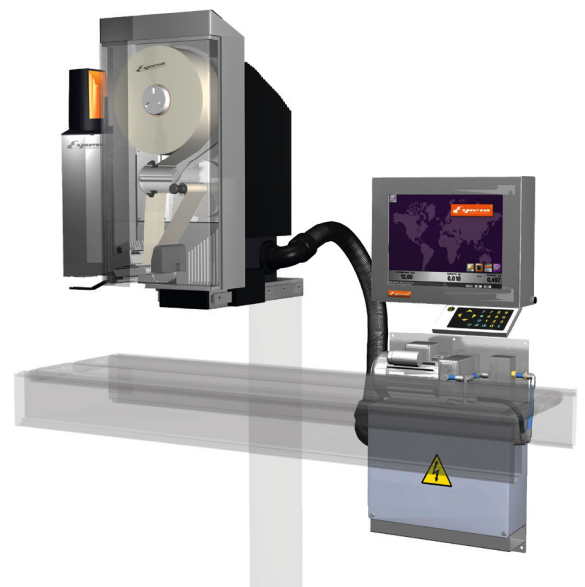
ES 9001
Individual labelling
without weighing
technology

FULLY AUTOMATIC PRINT AND APPLY SYSTEMS **ES 9000**

ESPERA offers a full range of manual and automatic print and apply systems. This means, the systems are equipped with printers for individual label printing, but without scale. The print and apply systems are in the same design and with the same features than the ESPERA series 3000 / 5000 / 7000 / 7800. But, without scale.

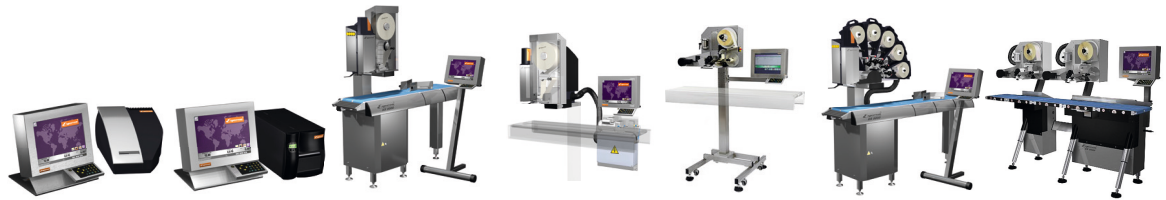
Highlights

- Hygienic stainless-steel design
- Label design software ESMS included
- Network integration (system independent)
- Online remote service
- Modularity



ES 9100
Labeller for integration
into existing transport
system

TECHNICAL DATA



	ES 4000	ES 4200	ES 9000	ES 9100	ES 9300	ES 9800	ES 9900
Throughput	-	-	To 120 pack. / min.	To 120 pack. / min.	To 65 pack. / min.	To 120 pack. / min.	To 65 pack. / min.
Print speed	100 mm / sec.	150 mm / sec.	300 mm / sec.	300 mm / sec.	250 mm / sec.	300 mm / sec.	250 mm / sec.
Print width	80 mm / 104 mm	104 mm	80 mm / 104 mm	80 mm / 104 mm	80 mm / 104 mm	80 mm / 104 mm	80 mm / 104 mm
Package size max. (L x W x H) with centering unit	-	-	640 x 280 x 200 mm	-	-	-	-
Package size max. without centering unit	-	-	640 x 360 x 200 mm	-	-	-	-
Label size max. (L x W) Printer top	-	-	200 x 110 mm	-	-	-	-
Label size max. (L x W) Printer bottom	-	-	130 x 110 mm	-	-	-	-
Label size min. (L x W) Printer top	-	-	37 x 37 mm	-	-	-	-
Label size min. (L x W) Printer bottom	-	-	37 x 52 mm	-	-	-	-
Label size max. with label rotation (L x W)	-	-	110 x 110 mm	-	-	-	-
Package size max. (L x W x H)	-	-	-	any	any	any	300 x 300 x 160 mm
Package size max. with long pack mode (L)	-	-	-	-	-	-	380 x 300 x 160 mm
Label size max. (L x W)	480 x 110 mm	2159 x 118 mm	-	200 x 110 mm	170 x 110 mm	200 x 110 mm	170 x 110 mm
Label size min. (L x W)	15 x 22 mm	13 x 25 mm	-	37 x 37 mm	30 x 37 mm	37 x 37 mm	30 x 37 mm
Thermal head	8 dot / 12 dot	12 dot	8 dot / 12 dot	8 dot / 12 dot	8 dot / 12 dot	8 dot / 12 dot	8 dot / 12 dot
Label roll core diameter	76 mm	38 - 76 mm	76 mm	76 mm	76 mm	76 mm	76 mm
Label roll outer diameter	210 mm	165 - 203 mm	285 mm	285 mm	210 mm	210 mm	210 mm
Label winding	Inside	Inside / outside	Inside	Inside	Inside	Inside	Inside
Interfaces	RS 232, USB, Ethernet	RS 232, USB, Ethernet	RS 232, USB, Ethernet	RS 232, USB, Ethernet	RS 232, USB, Ethernet	RS 232, USB, Ethernet	RS 232, USB, Ethernet
Network capability	Yes	Yes	Yes	Yes	Yes	Yes	Yes
Storage medium	SSD	SSD	SSD	SSD	SSD	SSD	SSD
Mains voltage	190 V - 240 V / 50 - 60 Hz	100 V - 240 V / 50 - 60 Hz	190 V - 255 V / 50 - 60 Hz	190 V - 255 V / 50 - 60 Hz	180 V - 255 V / 50 - 60 Hz	190 V - 255 V / 50 - 60 Hz	180 V - 255 V / 50 - 60 Hz
Operating temperature	- 10 °C to + 40 °C	+ 5 °C to + 40 °C	- 10 °C to + 40 °C	- 10 °C to + 40 °C	- 10 °C to + 40 °C	- 10 °C to + 40 °C	- 10 °C to + 40 °C
Thermal transfer operation	No	Yes	Yes	Yes	Yes	Yes	Yes
Protection class	IP20	IP20	IPX4	PX4	IP33	IPX4	IPX4
Total printer connection	Yes	No	Yes	Yes	Yes	Yes	Yes
Multi printer mode	Yes	No	Yes	Yes	Yes	Yes	Yes
Compressed air	-	-	No	No	No	6 BAR	No



VISION INSPECTION SYSTEMS **ESVS**

The control of label content as well as packages is an increasing demand especially in food production plants, because wrong declared products can lead to high penalties by the retail industry. Due to the increasing automation within production plants, a manual label and package control is no more possible. The ESPERA Vision Inspection Systems ESVS help to increase the quality of product declaration and furthermore help to reach the target of 100 % quality control.

Options

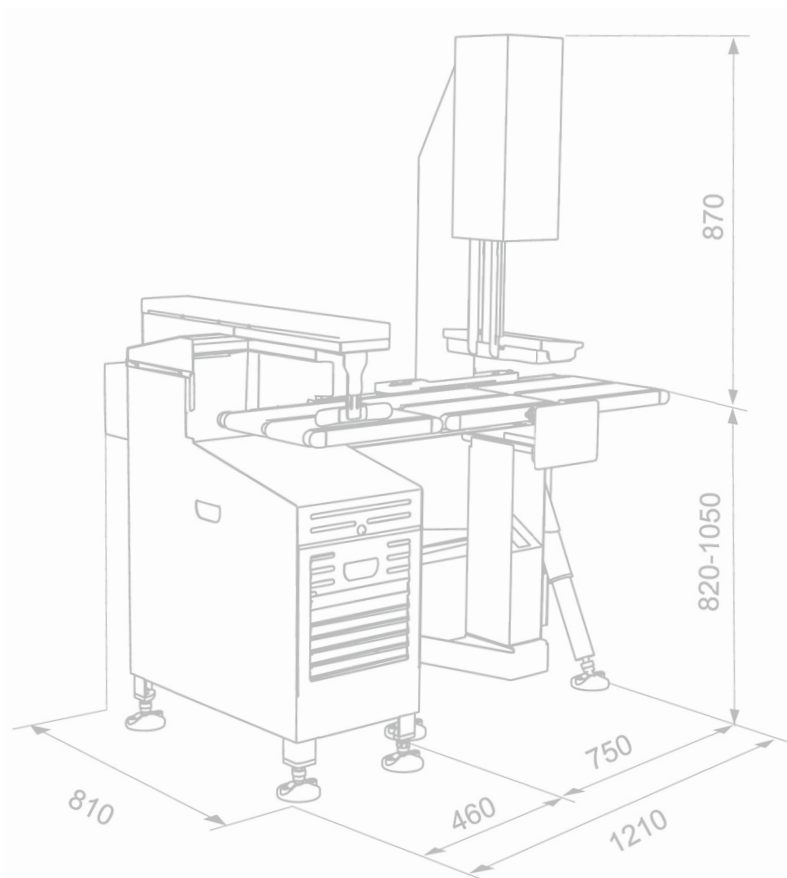
- With separate display or integrated display via ESPERA labelling systems
- Integration into all types of production lines

Highlights

- Hygienic stainless-steel design
- Modularity (top / bottom camera)
- Control of packages
- Control of label positioning
- Control of label content
- Fully flexible definition of inspection parameters
- Individual statistic evaluation and data storage options
- Network connectivity (system independent)
- Online remote service

TECHNICAL DATA

Package size max. (L x W x H)	250 x 200 x 120 mm
Package size min. (L x W x H)	80 x 40 x 10 mm
Package weight max.	3 kg
Performance	10 - 48 pack. / min.
Mains voltage	190 V - 240 V / 50 - 60 Hz
Operating temperature	0 °C to + 40 °C
Protection class	IP54
Compressed air	Yes





SORTING SYSTEM ES-X 83

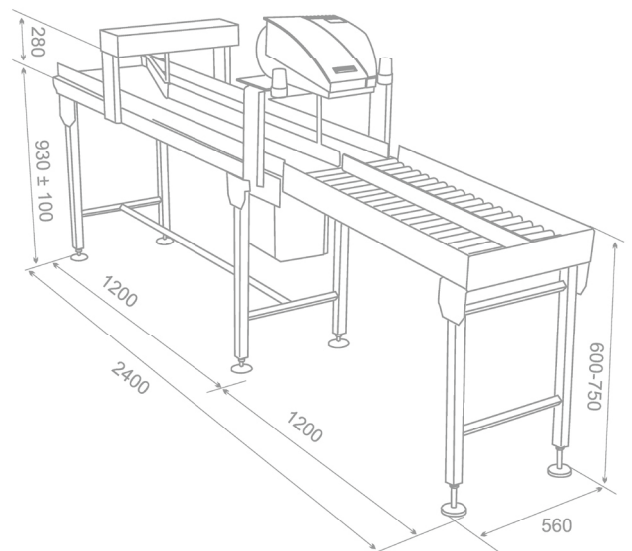
End of line applications include also an individual sorting of products, for example according weight ranges. ESPERA offers a wide range of sorting solutions. All ESPERA sorting systems are equipped with an interface to communicate with weighing, labelling or inspection systems. Two- or three way sorting unit with a maximum throughput of 120 packs per minute.

Highlights ES-X83

- Hygienic stainless-steel design
- Flexible interface for integration with other upstream / downstream machines

Options ES-X 83

- Integration of the total label printer ES 3000 for suspension of total labels



TECHNICAL DATA

Package size max. (L x W x H)	250 x 200 x 120 mm
Package size min. (L x W x H)	80 x 40 x 10 mm
Package weight max.	3 kg
Performance	10 to 48 pack. / min.
Mains voltage	190 V - 250 V / 50 - 60 Hz
Operating temperature	0 °C to + 40 °C
Protection class	IP54
Compressed air	Yes

SORTING SYSTEM ES-X 104 / 114

Highlights

- Sorting of products via air pressure nozzle
- Hygienic stainless-steel design
- Very fast sporting for light weight products up to 500 g
- Flexible interface for integration with other upstream / downstream machines

Options

- Belt length 370 mm (ES-X 104)
- Belt length 900 mm (ES-X 114)



ES-X 114

SORTING SYSTEM ES-X 124 / 134 / 144

Highlights

- Flipper sorting unit
- Hygienic stainless-steel design
- Fast sporting for products up to 3 kg
- Up to 3 way sorting
- Flexible interface for integration with other upstream / downstream machines

Options

- ES-X 124: 2 way sorting, 650 mm belt length
- ES-X 134: 2 way sorting, 900 mm belt length
- ES-X 144: 3 way sorting, 900 mm belt length



ES-X 124



LABELLING SYSTEMS ES 1000

Fully automatic labelling systems from ESPERA are especially suitable for the food processing and manufacturing industry and these systems convince by their robust and modular design and easy machine operation.

Highlights

- Hygienic stainless-steel design
- Easy operation via colour touch display
- Simple height and square adjustment

Options

- Left-right / right-left version
- Installation kit for TTF-printer
- Pneumatic height adjustment for labelling different product heights and product geometries
- Top labelling (ES 1210)
- Bottom labelling (ES 1221)
- Labelling from top and bottom (ES 1220)
- Integrated labeller on stand or connected to labelling system (ES 1101 / ES 1101 PN)

TECHNICAL DATA

	ES 1210	ES 1221	ES 1220	ES 1101 Individually integrable with stand foot	ES 1101 PN Integrated in labelling system ES 7000 series
Number of labellers	1 x top	1 x bottom	1 x top 1 x bottom	1 x top	1 x top
Direction	LR / RL	LR / RL	LR / RL	LR / RL	LR / RL
Number of belts	1	1	2	-	-
Belt speed	40 packs per min.	40 packs per min.	40 pack per min.	40 packs per min.	40 packs per min.
Max. label width	180 mm	180 mm	180 mm	180 mm	180 mm
Label rolls outer diameter	360 mm	360 mm	360 mm	360 mm	360 mm
Label rolls core diameter	76 mm	76 mm	76 mm	76 mm	76 mm



ESPERA SOFTWARE SOLUTIONS

Whether interface solutions for networking of machines with internal production ERP systems or software solutions for the visualization and optimization of production processes. ESPERA software solutions optimize the internal data workflow and can be integrated system independently.



SOFTWARE ESMS

Machine operation and production data management at its easiest! The intuitive PC software ESMS enables the production team, to create label designs via PC from their workplace. With the ESPROM software the designed labels as well as production data can be fully online sent to the machine.

Highlights ESMS

- Easy data handling
- Intuitive software handling (drag & drop)
- Fully flexible label design options

SOFTWARE ESPROM NG / EST

The ESPERA software solution ESPROM NG / EST offers a high level of flexibility. The software integration level can be adapted to the requirements of the production plant in three different extension.

Highlights ESPROM NG

- **ESPROM NG I:** Data transfer to the ESPERA machines "on demand"
- **ESPROM NG II:** Continuous data transfer to the ESPERA machines "real-time" as well as bi-directional transfer of production data from the machines to any database or ERP system
- **ESPROM NG III:** Continuous data transfer to the ESPERA machines "real-time" as well bi-directional transfer of production and order data from the machines to any database or ERP system
- **EST:** Individual interface for customized data exchange



Watch our product
video about
ESPROM & EST.



SOFTWARE SOLUTIONS ESPV

Keep up to date on all your production lines! Watch out for free capacities or bottlenecks of all your production lines and optimize your workflow with the ESPERA Production View software.

Highlights

- Easy control of line capacities
- Reduce production standstill
- Production line optimization

Produktion Anzeige											
Zeit	Linie	PID	Free text 3	MHD	Charge	/min	Zielwert	Mittelwert	Giveaway	Sik Ok	Sik Nok
0	1	372	40853 Lidl Fr. G...	27.03.15	15076157	30	400	403,1	0.78 %	1583	2
0	2	488	49112 Lidl D File...	24.03.15	15076156	30	450	466,5	3.67 %	3859	198
0	3	488	49112 Lidl D File...	24.03.15	15076152	2	450	479,6	6.58 %	13	4
0	4	511	48280 Lidl D Sc...	27.03.15	15076957	38	400	415,6	3.90 %	9840	132
0	5	606	43075 Lidl NL U...	27.03.15	15076957	42	800	805,1	0.64 %	40	0
78	6					0	0		0.00 %		
0	7	150	40383 Corrib Fil...	03.04.15	15076813	0	0		0.00 %		
0	8	614	48974 Lidl NL Fl...	28.03.15	15076957	30	550	553,8	0.69 %	3510	94
0	9	363	40632 Lidl FR In...	27.03.15	15076957	30	350	366,3	4.66 %	6242	17
0	10	622	40860 Lidl NI Ha...	27.03.15	15076154	42	400	401,5	0.38 %	3618	19
0	11	612	48030 Lidl NL St...	27.03.15	15076157	32	500	502,1	0.42 %	1468	10
321	12					0	0		0.00 %		
0	13	362	42473 Lidl FR O...	28.03.15	15076815	10	1000	1003,3	0.33 %	1476	4
0	15	502	40376 Lidl D Filet	27.03.15	15076955	12	600	611,6	1.93 %	151	17
0	16	492	43081 Lidl D Unt...	27.03.15	15076955	0	600	604,9	0.82 %	3127	85
12	17	608	48774 Lidl NL U...			0	900	0,0	0.00 %	0	0
23	21	623	40974 Lidl NL Filet	27.03.15	15076815	0	600	610,3	1.72 %	3336	45
0	22	113	42146 Aldi Sud ...	27.03.15	15076955	20	1100	1118,4	1.67 %	4569	1
0	23	6	99532 Aldi S Ste...	28.03.15	15076111	22	550	581,1	6.65 %	522	70

ESPV - monitoring view



ESPERA LABELS

Either if it is decorative labels or pre printed labels. ESPERA labels are specially designed according the requirements in food industry and can be produced in fully individual geometries, designs and coatings. Furthermore all labels can be manufactured as thermal direct and thermal transfer label.

Highlights

- Up to 8 colors per label
- All geometries
- Huge color and coating options





GERMANY:
+49 203 3054 260
service@espera.com

SWITZERLAND:
+41 522 133 838
service@espera.ch

MAINTENANCE AND REPAIR

Your machines are often exposed to harsh environmental conditions. A regular inspection of the equipment according to standardized procedures enables maximum machine reliability at minimum cost. Our worldwide service network offers fast response times with maximum competence. With ESPERA service you can significantly improve machine availability. Our experienced service technicians carry out maintenance and service work within the shortest possible time.

The ESPERA service team can connect to your system worldwide online and support you in troubleshooting.

ALL FROM ONE HAND

As a certified company, we take care of the first-stamping of your ESPERA machine. Thus you receive all services around your machine directly from one source - worldwide.

Our services

- **First-stamping**
- **Installation**
- **Validation**
- **Calibration**
- **Adjustment**

ESPERA SERVICE PACKAGES

The ESPERA service package includes a variety of individual service solutions tailored to your needs. Avoid unexpected and cost-intensive downtimes or repairs by regular maintenance.

ESPERA service modules

- Flat rate for work and travel expenses
- Spare parts flat rate
- Spare & wear parts flat rate
- Thermo head flat rate
- Inspection flat rate
- Software updates
- ESPROM updates
- Unlimited remote control support



Learn more
about our services

MORE EFFICIENCY THROUGH PERSONNEL TRAINING

Ensure that your operators and technical staff have the necessary knowledge to effectively operate and maintain the machines. Enable your team and technical personnel to gain sufficient knowledge of user technologies.

ESPERA ACADEMY trainings

- In the operation of ESPERA machines
- In the independent execution of routine servicing
- To guarantee conformity

Of course, we also adapt the training content individually to your needs.

ONE STEP AHEAD.

ESPERA-WERKE GMBH

Moltkestrasse 17 - 33
47058 Duisburg
Germany

Telephone: +49 203 30 54 - 0
Fax: +49 203 30 54 - 275
E-Mail: info@espera.com

www.espera.com