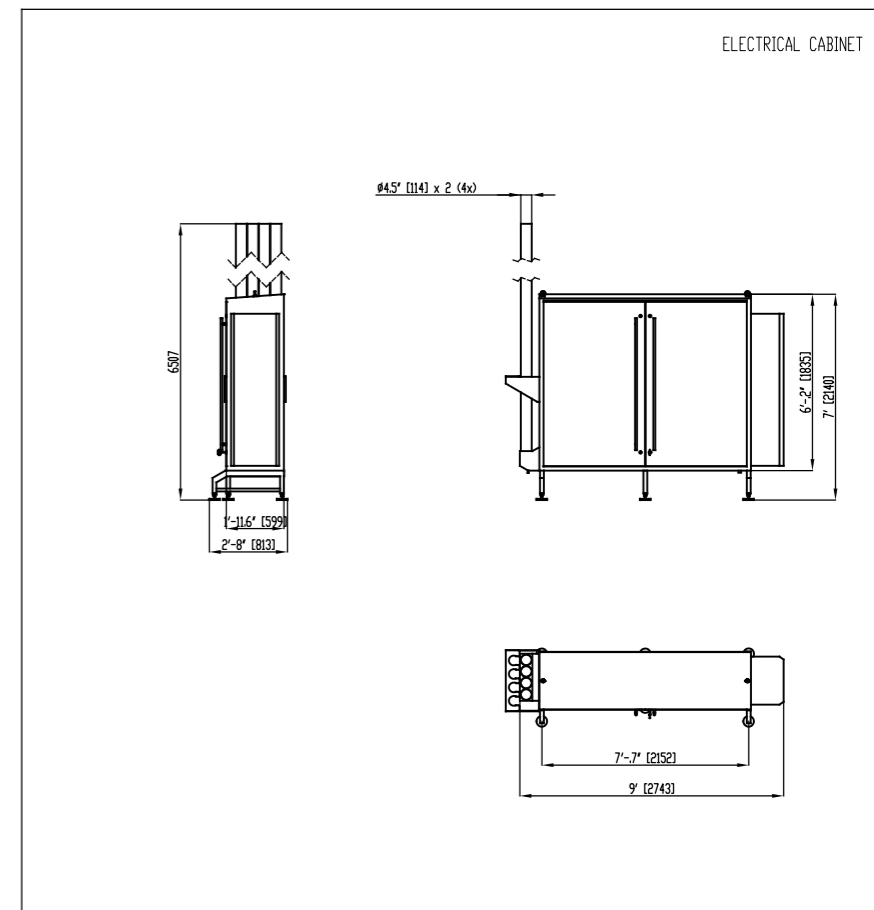


GEA COOKSTAR 1000



DATE:	Revision	Changed	Revision	Changed	
NAME:	Revision	Changed	Revision	Changed	
SIGNATURE:	Basepart				
	Material	Dlm	Released	30-07-21 Ariyan Ahmad	
	Heat TR		Created	12-12-19 Rajat Bhavsar	
	Surf. TR		Copied from		
			Old item number		
			Document number	Revision	
			GEA CookStar	1000456847	00
			GEA CookStar		
			CookStar 1000 Generation 3	1000456847	
			ISD 2780K, ISD 13715 out -0.02/-0.5 ; in +0.5/+0.02	Scale 1:40	Size A1 Page 01