



VF 600.

***The innovative
Vacuum Filler
Generation
from handtmann***

***More success with
higher profitability,
performance and
quality.***

handtmann

Ideas for the future.



More Profitability with the New Generation of VF 600 Vacuum Filling Machines

The new VF 600 generation combines more than 40 years of experience gained in the development and manufacture of automatic filling and portioning machines. Gentle processing of meat products and an excellent feed quality for difficult mixes are the outstanding features of the new handtmann vacuum filling machines:

- ◆ ***Higher profitability***
- ◆ ***More performance***
- ◆ ***Exact portioning***
- ◆ ***Lower operating costs***

The new VF 600 Series supplements the known and proven range of vacuum filling machines and provides further options for processing new convenience products and improved use of low viscosity formulations. The VF 622 and VF 628 models are particularly suited for the application of handtmann in-line grinding systems.

Handtmann VF 600 – Decision for progress.



The enhanced handtmann Vane Cell Feed System is the core of the VF 600 Vacuum Filling Machines.

- *Extended service life*
- *Good particle definition and even product distribution*
- *Gentle product feeding*



handtmann

VF 628



Highest processing quality with the New Vane Cell Feed System of the VF 600 Series

The core of the VF 600 Vacuum Filling Machine is the enhanced Handtmann Vane Cell Feed System. A considerably longer service life ensures top quality advantages such as a good particle definition and even product distribution. The patented integrated Weight Compensation Unit provides important portioning accuracy. Weight variations due to product changes are reduced. Operating pressures of 40 and 72 bar

with the VF 600 Series ensures maximum delivery rates for all applications. The integral Shutter Valve to open and close the vacuum channel is controlled to suit the mix and improve evacuation across a wide range of products. The new Handtmann Vane Cell Feed system is designed for universal use.

1. Exact Portioning

The Feed Unit in the hopper is modified to improve product flow. This provides excellent filling characteristics into the Vane Cell Feed system providing accurate portioning.

2. Vane Cell Feed System

The Vane Cell Feed system of the new VF 600 Series has been developed according to latest technology and practical experience. All products, from dry sausage, emulsions and meat products with larger particulates are gently filled without degradation.

3. The Shutter Valve

An important feature of the new VF 600 Series is the integral vacuum valve, located in the vane cell feed system which operates according to the type of product being filled and maintains good evacuation.



Easy Handling for economical production

The ergonomically designed display allows the operator to monitor and control the operating functions from a central position. The control system developed by handtmann allows total synchronisation of all functions and the recording of important production data. The electronically controlled portioning system of the VF 600 Vacuum Filling Machines operates within a range of 5g to 100 kg with 0.1 g increments for good weight control. The desired weights can be set quickly and accurately. The exact portioning system has a linking speed of up to 700 portions per minute, meeting the highest performance requirements.

The return suction feature is particularly suitable for fast and hygienic operation. The VF 600 machines include this feature as standard. The VF 600 machines have good reliability and efficiency due to the innovative control and drive systems and can be combined with handtmann AL systems and additional equipment with maximum benefits.



The Split Hopper

The split hopper has a total volume of 240 or 350 litres depending on the model. The lower part can hold a volume of 90 litres and allows direct filling for smaller batches. The top part of the hopper can be opened to view the hopper content. A folding step is provided for the operator to allow safe standing at a suitable working level and good access to the hopper components.



Top Quality and Versatile Application

The Monitor Control

The ergonomically designed display is the central control unit for the operator. The new drive and control system provides perfect synchronisation for additional in-line handtmann equipment and machines. Additional control to external drives is available through auxiliary sockets.



Total Integration with AL Systems to meet all Production Requirements

The AL systems produce, depending on the model, small, curved and ring sausages in natural, synthetic and collagen casings. An industrial Vacuum Filler with monitor control provides total synchronisation and feeds evacuated product to the AL system. Modular functional sections, from the Vacuum Filling machine through to the sausage Hanging Unit, ensure total flexibility for production requirements. Short and direct travel of the product guarantee gentle handling.

The portioning rate when producing small sausages is more than 2000 portions/minute. An AL system will reduce operating costs with our new technology, rationalisation and efficient automation.

Line integration

The new VF 600 generation is designed for in-line integration. Control of additional machines socket such as clippers, metal detectors and others is possible through the built-in auxiliary. Numerous special functions are available to meet specific customer requirements.





VF 628 Filling/Grinding machine, with GD 93-3 and AL system PLH 216. For equal length products in natural casing using the Integrated Grinding System.



VF 630 with AL system PVLH 240. High performance AL system for synthetic and collagen casings.



VF 620 with AL cutting machine PLS 115. Length control with individual cutting for product in natural or collagen casings.





Functional accessories make the handtmann Vacuum Filling Machines even more valuable.

Easy handling and high return characterise the whole range of handtmann accessories.

By using products such as the type 78-6 casing spooling device, the benefits of manufacturing with the new VF 600 Vacuum Filling Machines can be increased. The result is always top class quality products and simultaneous efficiency in processing.



The Type GD93-3 Mincing System

The handtmann type GD 93-3 mincing system can be universally used for Filling, Portioning and Linking and is particularly suited for dry sausage and coarse products. The outstanding product appearance is evident from the distribution of particulates achieved without smearing on the cut surface. Combined with the new Vane Cell Feed System, with efficient product evacuation, products are evenly and densely filled for quality. The advantages are:

- ◆ *Reduced process steps*
- ◆ *Simplified production procedures*
- ◆ *Longer shelf life*
- ◆ *Variable cutting speed with individual Filling and Grinding Drives*
- ◆ *Maximum product quality*



The Type 85-2 Filling Head

The type 85-2 Filling Head is ideally suited to portion mixes with high viscosity to semiviscous products with particulates. The 85-2 is pneumatically controlled with electronic interface to the VF 600 for portion accuracy. An independent air supply is required.



The type 79-0 Meatball Attachment

The drive for manufacturing meatballs is connected directly at the outlet of the Vacuum Filling Machine. It feeds evacuated product continuously to the type 79-0. Two outlet diameters are available for products up to 50 mm and up to 70 mm. The economic advantages for the user are ensured by:

- ◆ Delivery rate of up to 400 portions/min
- ◆ Portioning accuracy
- ◆ Easy handling



The Type HV 60-6 Holding Device

The automatic HV 60-6 or HV 60-7 Casing Holding Device is mounted directly to the linking gearbox without the aid of tools. A flexible casing brake assembly can be quickly inserted into the Holding Device for product calibre changes. The convincing results are:

- ◆ Minimum number of bursts
- ◆ Higher performance
- ◆ Outstanding calibre accuracy with all synthetic and collagen casings

The easy to handle design of the handtmann Holding Device can be suspended on a swing arm and moved to the side. This makes changing to Filling & Portioning from Linking a simple operation.

The Type 78-6 Casing Spooling Device

With the handtmann type 78-6 casing spooling device you can increase the efficiency of your automatic Filling, Portioning and Linking machine when producing sausage in natural casing. The advantages are:

- ◆ Minimum interruption to the filling process
- ◆ Uniform and gentle spooling of the casing
- ◆ Suitable for all natural casings
- ◆ Simple operation





VF 620, VF 622, VF 628, VF630- four models designed specifically to your requirements

With the new generation of VF 600 Vacuum Filling Machines, handtmann set new standards in the market.

With four models, handtmann offers a range which is suited to the requirements of the user. Filling rates of 3,600 to 10,200 kg/h and filling pressures from 40 bar to 72 bar ensure high efficiency and excellent product quality.

handtmann VF 600 – Decision for progress
The innovative handtmann equipment and the advantages:

- ◆ *Performance*
- ◆ *Product quality*
- ◆ *Portioning accuracy*
- ◆ *Handling*
- ◆ *Operating cost*
- ◆ *Additional applications*
- ◆ *Hygiene/cleaning*

Welcome to handtmann.



VF 620

VF 622

VF 628

VF 630

Technical Data

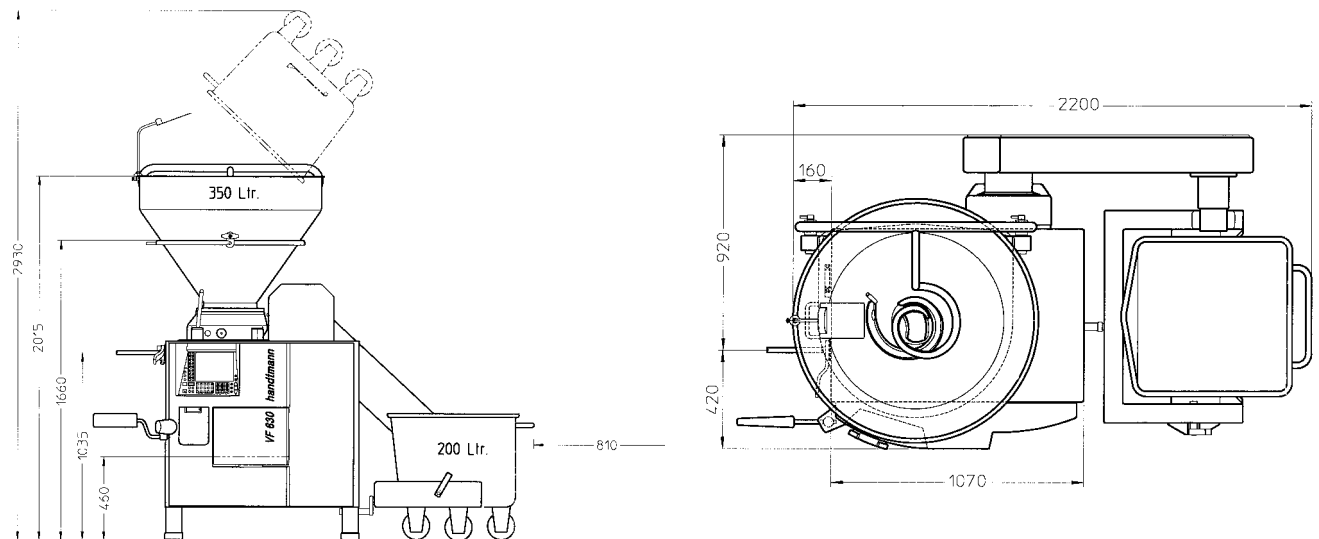
The new generation of the VF 600 Vacuum Fillers incorporates innovative drive and control systems with high efficiency. They are an ideal combination with additional equipment and handtmann AL-Systems.

| Type | VF 620 | VF 622 | VF 628 | VF 630 |
|--|-------------------|--------------|--------------|--------------|
| Filling Volume | 6000 kg/h | 3600 kg/h | 6000 kg/h | 10200 kg/h |
| Filling Pressure | Max 40 bar | Max 72 bar | Max 72 bar | Max 40 bar |
| Portioning and Linking Speed at 2.5 Twists (depending on product) | | | | |
| 25g | 700 port/min | 700 port/min | 700 port/min | 700 port/min |
| 50g | 500 port/min | 500 port/min | 530 port/min | 530 port/min |
| 100g | 400 port/min | 360 port/min | 400 port/min | 450 port/min |
| 200g | 300 port/min | 250 port/min | 300 port/min | 380 port/min |
| Twist per Link 0.5 – 10 (adjustable) | | | | |
| Portioning Range | 0–100 kg | 0–100 kg | 0–100 kg | 0–100 kg |
| Hopper Volume | 240 l | 240 l | 350 l | 350 l |
| Hopper Lower Part | 90 l | 90 l | 90 l | 90 l |
| Electric Rating | 8 KW | 9 KW | 13,5 KW | 12,5 KW |
| With integral grinder | 17 KW | 18 KW | 18 KW | 18 KW |
| Net Weight | 1340 kg | 1340 kg | 1360 kg | 1360 kg |
| Gross Weight | 1640 kg | 1640 kg | 1660 kg | 1660 kg |
| Crate dimensions | 2120x1580x2250 mm | | | |

Standard accessories: Linking gearbox, 4 linking nozzles 12, 15, 19 and 22 mm dia., 5 filling tubes 12, 16, 22, 30 and 40 mm dia., removal tool, operating manual.

US: 4,953,262 – US: 6,309,293 – US: 5,380,240 – US: 5,720,603 Patented in Germany and abroad.

We reserve the right to technical modifications.



- ◆ *More profitability with handtmann*
- ◆ *Top quality and versatile application*
- ◆ *Advantages with the AL system*
- ◆ *Perfect handling and high efficiency*
- ◆ *Progress comes from handtmann*



More profitability with the new generation of VF 600 Vacuum Filling Machines.

handtmann

Ideas for the future.