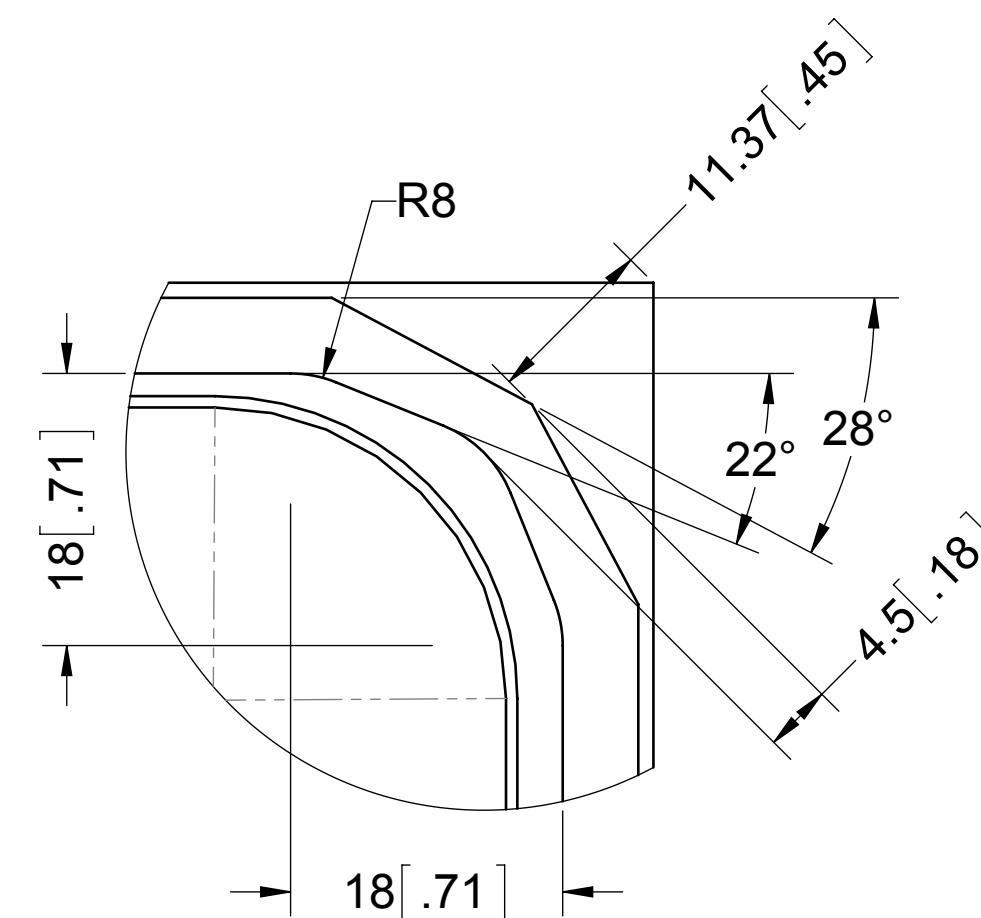


TYPICAL PACKAGE ARRAY SCALE 1:2



DETAIL A PEEL CORNER PER WN 61.584.007 (R20) SCALE 2:1

CHANGE NUMBER:	CHANGE DESCRIPTION:
----------------	---------------------

U.S.A.	PROTECTION NOTICE ISO 16016 The reproduction, distiution and utilization of this document as well as the communication of its contents to others without express authorization is prohibited. Offenders will be held liable for the payment of damages. All rights reserved in the event of the grant of a patent, utility model or design.	PACKAGE DESIGN NOTES ALL DIMENSIONS ARE IN MILLIMETERS DUAL DIMENSIONS ARE IN INCHES	NOTICE: PACKAGE DEPTH IS LIMITED BY MATERIAL FORMABILITY AND TOOLING CONSTRUCTION.	DESCRIPTION: 2T2R PACKAGE ARRAY		 MULTIVAC, INC. 11021 N. POMONA AVENUE, KANSAS CITY, MO 64153 TEL: 816-891-0555	CUSTOMER NAME: ORNNA FOODS	
	The dimensions of the package blister are the inside dimensions of the forming mold. The inside dimensions of the blister are reduced due to film thickness and shrinkage properties of the package material.		SEALING NOTE: MINIMUM MEASUREABLE SEAL IS 3.5mm	CREATED BY: kkeever DATE: 21.4.2015	CHANGED BY: kkeever DATE: 21.4.2015		ANSI SIZE D SCALE 1:1 SHEET 1 OF 1	DOCUMENT NUMBER: 15000216035