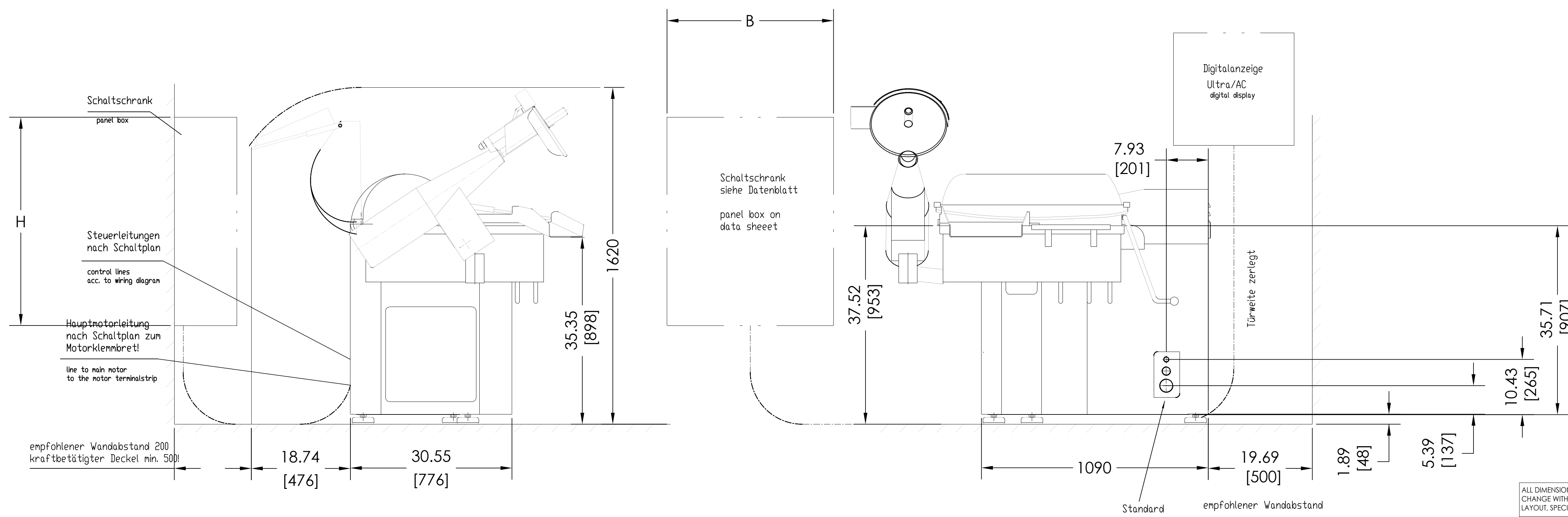
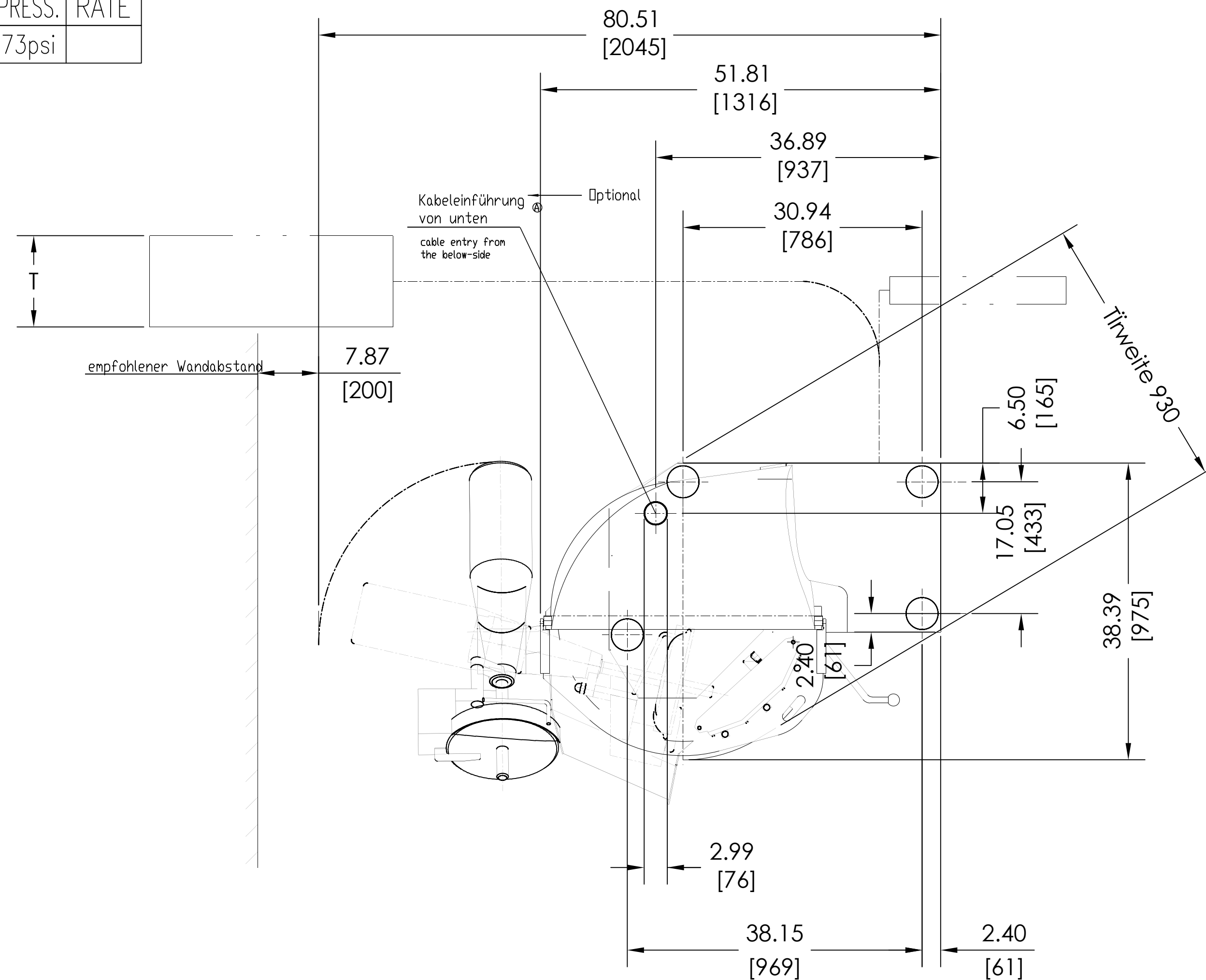


MACHINE TYPE	VOLTAGE		AMPERAGE		BREAKERS		AIR		WATER	
	LOW	HIGH	LOW	HIGH	LOW	HIGH	PRESS.	RATE	PRESS.	RATE
K60 CUTTER	N/A	400/460v	N/A	200a	N/A	TBD	145psi		73psi	

STEAM CONN: 1" LINE
 WATER CONN: 1" LINE
 DRAIN CONN: 1-1/2" LINE
 AIR CONN: 1/4" LINE

ELEC PANEL DIMENSIONS (mm)			
MACH TYPE	B	H	T
ULTRA	560	760	250
RASANT	560	380	180
DC	800	1000	300
AC	1000	1000	400

REVISIONS						
REVISION	DESCRIPTION	ECO #	REVISED BY	REVISED DATE	CHECKED BY	CHECKED DATE
1	INITIAL RELEASE					



Do not tilt the machine versus the knife heat.

To prevent damage of building or machine only use knives equilibrated with balancing sets.

Adequately secure the panel box against tipping or dropping.

Pay attention to the general VDE directions.

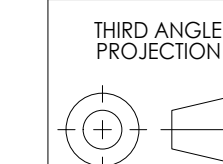
Total weight approx: 1100kg

The unit of measurement is mm!

Specifications subject to change without notice. Measurements / dimensions without guarantee!

ALL DIMENSIONS ARE APPROXIMATE AND SUBJECT TO CHANGE WITHOUT NOTICE. THIS IS A GENERAL LAYOUT. SPECIFIC EQUIPMENT MAY VARY.

INITIALS DATE
 DRAWN BY SUS 7/22/2016



THIRD ANGLE PROJECTION
 UNLESS OTHERWISE SPECIFIED DIMENSIONS ARE IN INCHES

CHECKED BY
 APPR. BY
 TITLE: SEYDELMANN K60

PROPRIETARY AND CONFIDENTIAL
 THE INFORMATION CONTAINED IN THIS DRAWING IS THE SOLE PROPERTY OF ROBERT REISER & CO., INC. ANY REPRODUCTION IN PART OR AS A WHOLE WITHOUT THE WRITTEN PERMISSION OF ROBERT REISER & CO., INC IS PROHIBITED.

SIZE DWG. NO. REV.
 D R1029137
 SCALE: 1" = 1'-0", 1:12